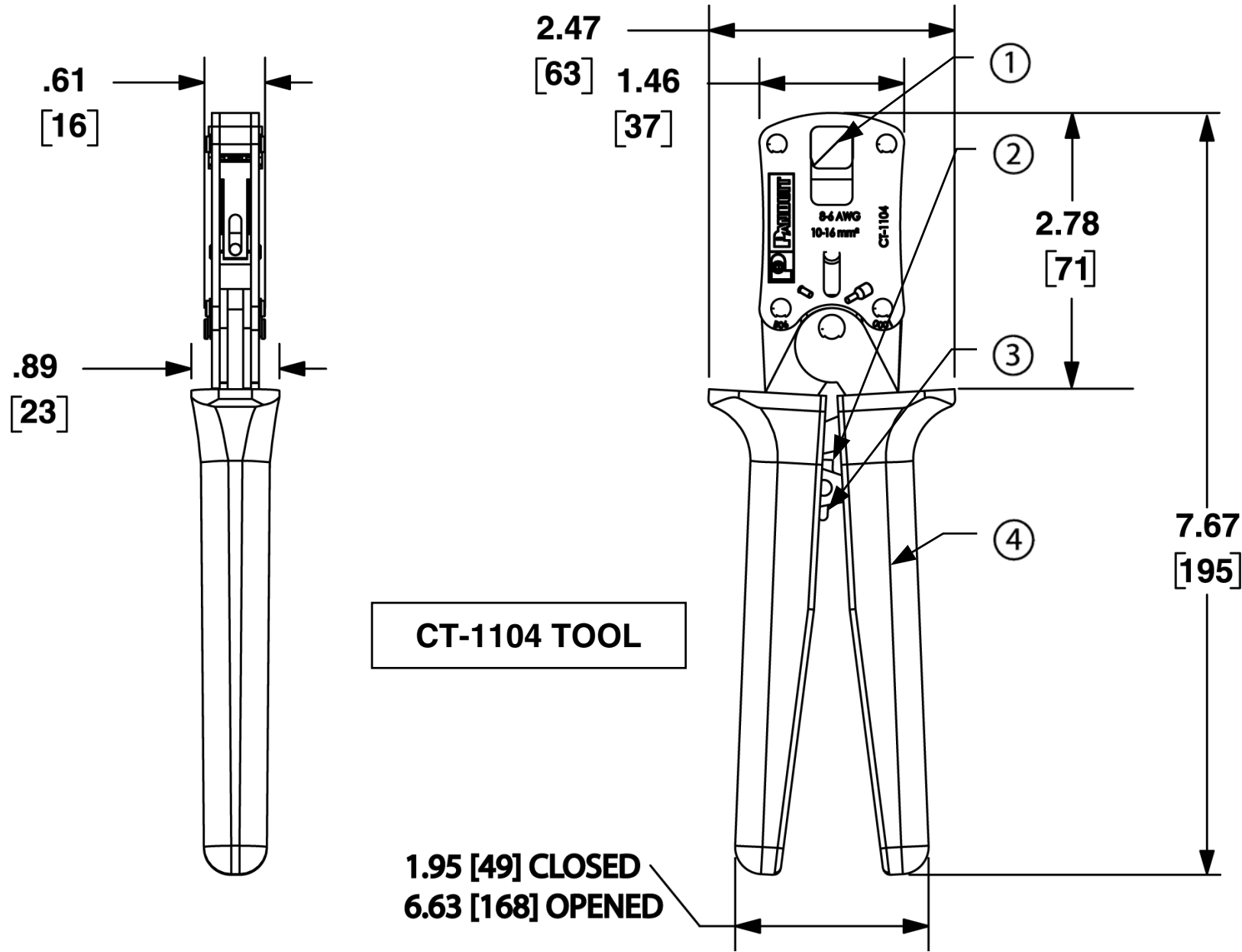


THIS COPY IS PROVIDED ON A RESTRICTED BASIS AND IS NOT TO BE USED IN ANY WAY DETRIMENTAL TO THE INTERESTS OF PANDUIT CORP.



CT-1104 TOOL

NOTES, UNLESS OTHERWISE SPECIFIED:
PANDUIT Tool Number CT-1104 is used to install single and dual wire **PANDUIT** insulated and non-insulated loose piece ferrules.

- Crimps the following types:**
- FTD type: 2 x 10 [6.0mm²] AWG insulated ferrules
 - FSD and FSF type: #8 [10.0mm²] – #6 [16.0mm²] AWG insulated ferrules
 - F type: #8 [10.0mm²] – #6 [16.0mm²] AWG non-insulated ferrules

- TOOL FEATURES INCLUDE:**
1. Self-adjusting crimp die for Insulated and non-insulated ferrules. Ferrule size dependent on wire gage. Refer to ferrule packaging for proper ferrule and wire combinations.
 2. Controlled cycle mechanism prevents tool from opening before crimp cycle is complete.
 3. Manual release lever, push forward in the event that controlled cycle mechanism must be released.
 4. Resilient grips to prevent operator fatigue.
NOTE: The grips are NOT intended to insulate against electrical shock.

TOOL WEIGHT: 10.6 oz. (300 gr.)

DIMENSIONS SHOWN IN PARENTHESES ARE MILLIMETERS.

F:\wrkgrp\rvusers\ENGR DOCS - NEWCUSTOMER DRAWINGS\
 TP25122B01_00 CT-1104 CD.doc

										PANDUIT CORP. TINLEY PARK, ILLINOIS				
										CT-1104				
										CUSTOMER DRAWING				
										UNLESS OTHERWISE SPECIFIED, DIMENSIONAL TOLERANCES ARE: (.x) ± ---- (.xxx) ± ---- (.xx) ± ---- ANGLES ± ----		UNLESS OTHERWISE SPECIFIED, ALL DIMENSIONS ARE GIVEN IN INCHES, THIRD ANGLE PROJECTION.		
										DRAWN BY: BLR	MATL:	SCALE NONE		
										DATE: 3-29-06	SEE NOTES		DRAWING NO. TP25122B01	DWG B SIZE
										CHK'D: SRRE				
00	3-29-06	BLR	SRRE	RELEASED	4195	---	RFL							
REV	DATE	BY	CHK'D	DESCRIPTION	ECN	- R	CUST	SUP						