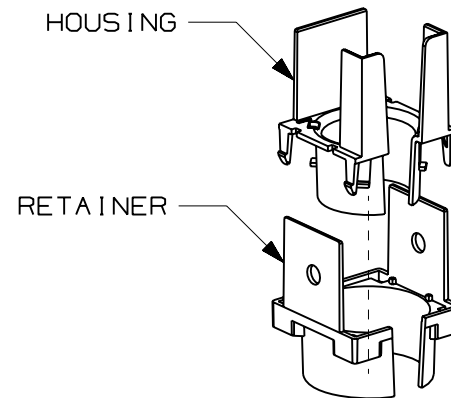


PANDUIT PART NUMBER	WEIGHT
F1DT2X2	0.08 LB/EACH (37g/EACH)

NOTES:

- SEE CURRENT CATALOG FOR ADDITIONAL PART SUFFIXES TO INDICATE COLOR AND/OR PACKAGE QUANTITY.
- THE FIBER-DUCT 2x2 AND FIBERRUNNER 2x2 1-PORT SPILL-OUT TO 1 1/2" I.D. CORRUGATED LOOM TUBING IS USED TO CREATE A SINGLE PORT FLEXIBLE SPILL-OUT INTO EQUIPMENT FRAMES OR TELECOMMUNICATIONS CABINETS. THE SPILL-OUT ACCEPTS ONE (1) PIECE OF 1 1/2" (38.1) I.D. SLIT CORRUGATED LOOM TUBING (CLT150F-X**, CLT150F-T20)
- DIMENSIONS IN PARENTHESES ARE IN METRIC.



ENG. REF.: D38388BF_DC_F1DT2X2_01.prt

CAD FILENAME/LAYERS		F1DT2X2.pdf	
PANDUIT CORP TINLEY PARK, ILLINOIS			
FIBER-DUCT 2x2 AND FIBERRUNNER 2x2 1-PORT SPILL-OUT TO 1 1/2" I.D. CORRUGATED LOOM TUBING (F1DT2X2) CUSTOMER DRAWING			
UNLESS OTHERWISE SPECIFIED, DIMENSIONAL TOLERANCES ARE: (.X) ± (.XXX) ± (.XX) ± .03 (.8) ANGLES ±		UNLESS OTHERWISE SPECIFIED, ALL DIMENSIONS ARE GIVEN IN INCHES, THIRD ANGLE PROJECTION.	
DRAWN BY JHNU	MAT'L: ABS	SCALE NONE	
DATE 5-13-02	CHK'D WAB	DRAWING NO. 38388-03	DWG A SIZE

REV	DATE	BY	CHK	DESCRIPTION	ECN	R	CUST	SUP	GMBH
-	-----	---	--	F. REVISED PART GEOMETRY	-----	--	--		
-	-----	---	--	E. REVISED GENERAL NOTES D. REVISED PART WEIGHT	-----	--	--		
2	6-21-06	MSO	RN	C. REVISED DRAWING TITLE B. REVISED CAD FILENAME	38388-03	RN	RN		
1	5-24-02	JHNU	WAB	A. REVISED NOTE 3.	38388-03	HIW	HIW		
R	5-13-02	JHNU	WAB	RELEASED TO PRODUCTION	38388-03	HIW	HIW		