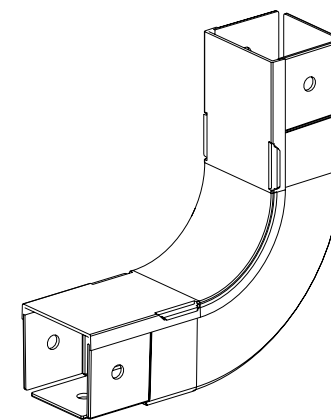
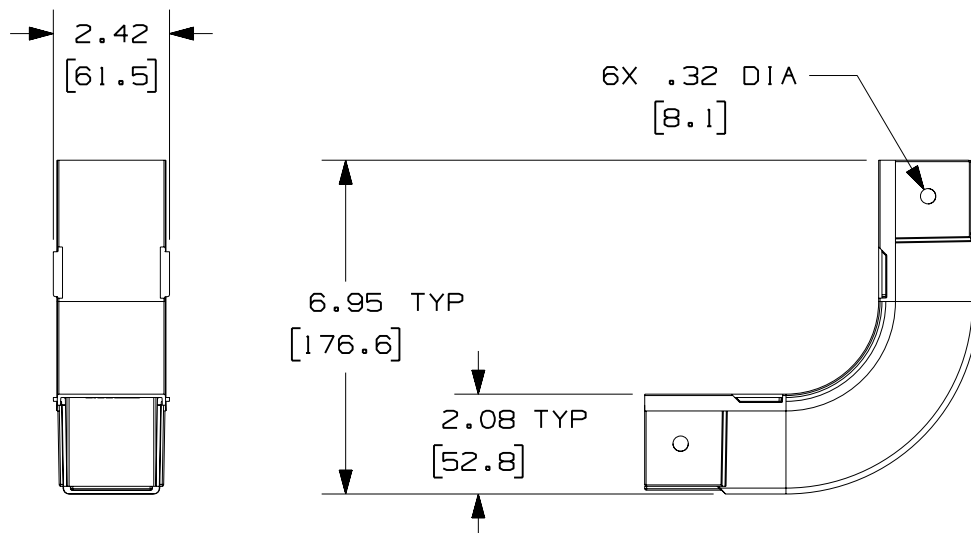


PANDUIT PART NUMBER	WEIGHT
FIVRA2X2	0.30 LB/EACH (135g/EACH)



NOTES:

- SEE CURRENT CATALOG FOR ADDITIONAL PART SUFFIXES TO INDICATE COLOR AND/OR PACKAGE QUANTITY.
- THE FIBER-DUCT 2x2 AND FIBERRUNNER 2x2 INSIDE VERTICAL RIGHT ANGLE FITTING IS DESIGNED WITH A MINIMUM 2" (50.8) BEND RADIUS TO PROTECT FIBER OPTIC CABLES.
- DIMENSIONS IN PARENTHESES ARE IN METRIC.



ENG. REF.: D35245BW_DC_FIVRA2X2_03.prt

CAD FILENAME/LAYERS

F FIVRA2X2.pdf

PANDUIT CORP TINLEY PARK, ILLINOIS
 FIBER-DUCT 2x2 AND FIBERRUNNER 2x2 INSIDE
 VERTICAL RIGHT ANGLE FITTING (FIVRA2X2)
 CUSTOMER DRAWING

UNLESS OTHERWISE SPECIFIED,
 DIMENSIONAL TOLERANCES ARE:

(.X) ± (.XXX) ±
 (.XX) ± .03 (.8) ANGLES ±

UNLESS OTHERWISE SPECIFIED,
 ALL DIMENSIONS ARE GIVEN IN
 INCHES, THIRD ANGLE PROJECTION.

DRAWN BY PM

MAT'L:

SCALE NONE

DATE 1-21-97

ABS

DRAWING NO. 35245-23

DWG
A
SIZE

CHK'D CEF



REV	DATE	BY	CHK	DESCRIPTION	ECN	R	CUST	SUP	GMBH
-	-----	---	---	I. REVISED GENERAL NOTES. H. REVISED PART WEIGHT.	-----	--	--		
-	-----	---	---	G. REVISED MATERIAL. F. REVISED CAD FILENAME.	-----	--	--		
3	12-14-06	MSO	RN	E. REVISED DRAWING TITLE. D. REVISED AND REDRAWN.	35245-23	RN	RN		