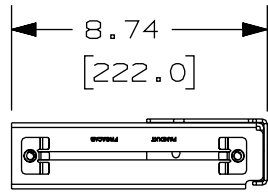


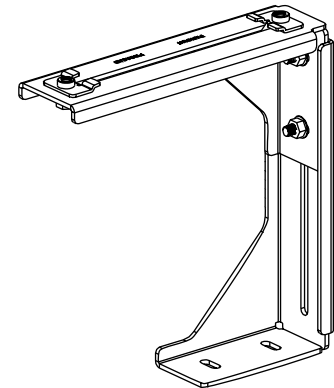
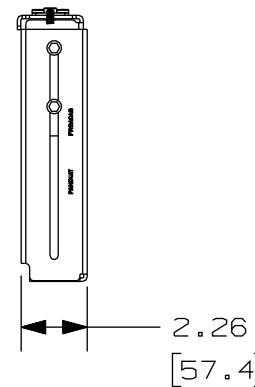
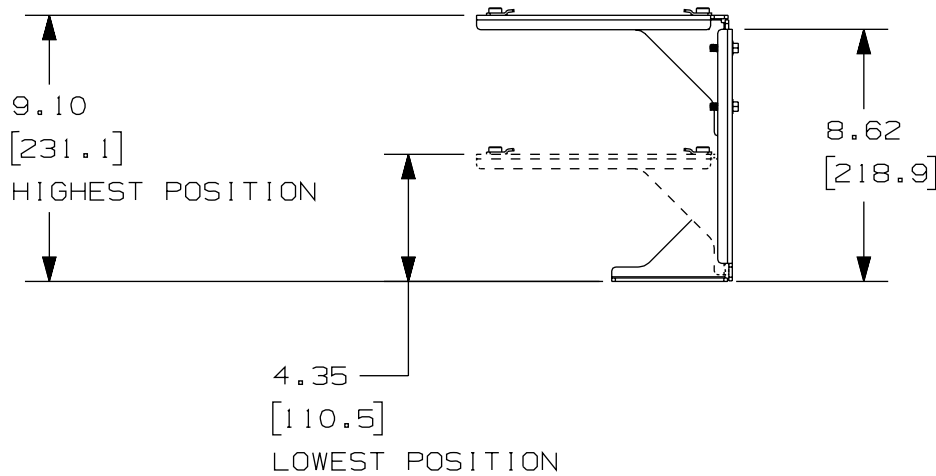
THIS COPY IS PROVIDED ON A RESTRICTED BASIS AND IS NOT TO BE USED IN ANY WAY DETRIMENTAL TO THE INTERESTS OF PANDUIT CORP.

PANDUIT P/N	WEIGHT
FR6ACAB	2.40 LB/PC. (1089 g/PC.)



NOTES:

1. THE FR6ACAB KIT INCLUDES:
TWO (2) BRACKETS,
TWO (2) BRACKET CLIP ASSEMBLIES,
TWO (2) 1/4" HELICAL SPRING LOCKWASHERS,
TWO (2) 1/4-20 X 1/2 HEX HEAD MACHINE SCREWS,
TWO (2) 1/4-20 X .75 HEX HEAD FLANGED SERRATED BOLTS,
TWO (2) 1/4-20 FLANGED SERRATED NUTS.
2. ALL COMPONENTS ARE ASSEMBLED WHEN SHIPPED.
3. FINISH COLOR: BLACK
4. DIMENSIONS IN PARENTHESIS ARE IN METRIC.



ENG. REF.: D38238BI_DC_FR6ACAB_00A.prt

CAD FILENAME/LAYERS 38238-08.PDF

PANDUIT CORP. TINLEY PARK, ILLINOIS
FIBERRUNNER™ ADJUSTABLE CABINET
BRACKET KIT (FR6ACAB)
CUSTOMER DRAWING

UNLESS OTHERWISE SPECIFIED,
DIMENSIONAL TOLERANCES ARE:
(.X) ± (.XXX) ±
(.XX) ±.03 (.8) ANGLES ±

UNLESS OTHERWISE SPECIFIED,
ALL DIMENSIONS ARE GIVEN
IN INCHES, THIRD ANGLE PROJECTION.

DRAWN BY JHNU

MAT'L:

SCALE

NONE

DATE 4-25-02

STEEL

DRAWING NO.

38238-08

DWG

A

SIZE

REV	DATE	BY	CHK	DESCRIPTION	ECN	CHK	CUST	SUP
R	4-25-02	JHNU		RELEASED TO PRODUCTION.	38238-08			