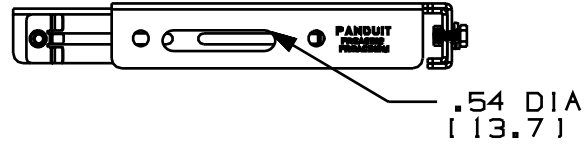


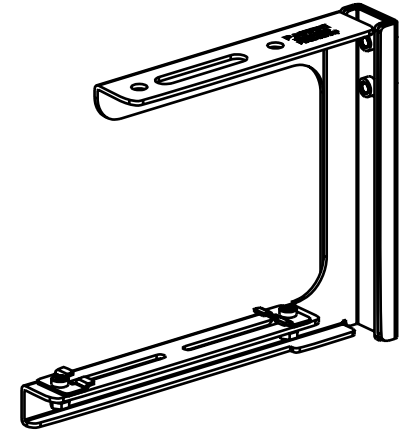
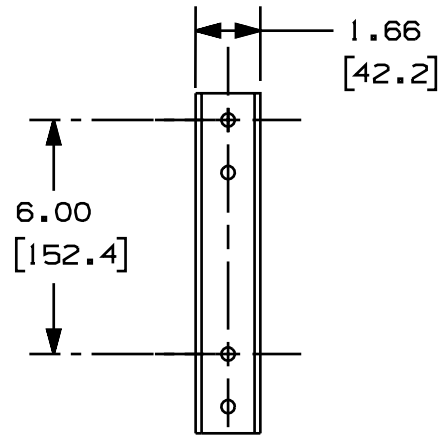
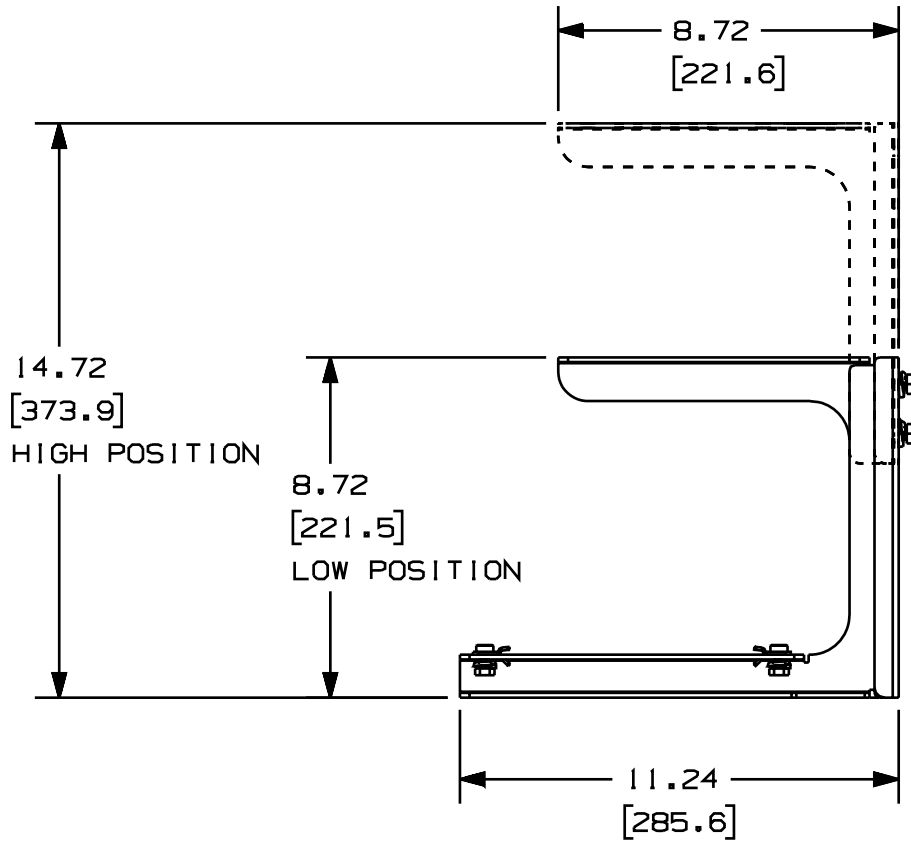
THIS COPY IS PROVIDED ON A RESTRICTED BASIS AND IS NOT TO BE USED IN ANY WAY DETRIMENTAL TO THE INTERESTS OF PANDUIT CORP.



| PANDUIT P/N | WEIGHT |
|-------------|--------------|
| FR6ACB12 | 3.30 LB/PC. |
| FR6ACB12M | (1495 g/PC.) |

NOTES:

- BRACKET ATTACHES TO NEW 1/2" OR 12mm THREADED ROD (NOT INCLUDED).
- THE FR6ACB12 & FR6ACB12M KIT INCLUDES:
ONE (1) BRACKET SET (UPPER & LOWER ASSEMBLED),
TWO (2) BRACKET CLIP ASSEMBLIES,
TWO (2) 1/2" HELICAL SPRING LOCKWASHERS,
TWO (2) 1/2-13 HEAVY HEX NUT (FR6ACB12 ONLY),
TWO (2) M12X1.75 HEX NUT (FR6ACB12M ONLY).
- FINISH COLOR: BLACK
- DIMENSIONS IN PARENTHESIS ARE IN METRIC.



ENG. REF.: D38022BX_DC_FR6ACB12_00A.prt

| | | | |
|---|-----------------|---|----------|
| CAD FILENAME/LAYERS | | 38022-29.PDF | |
| PANDUIT CORP. TINLEY PARK, ILLINOIS | | | |
| FIBERRUNNER™ 6" ADJUSTABLE "C" BRACKET KIT (FR6ACB12, FR6ACB12M) CUSTOMER DRAWING | | | |
| UNLESS OTHERWISE SPECIFIED, DIMENSIONAL TOLERANCES ARE: (.X) ± (.XXX) ± (.XX) ±.03 (.8) ANGLES ± | | UNLESS OTHERWISE SPECIFIED, ALL DIMENSIONS ARE GIVEN IN INCHES, THIRD ANGLE PROJECTION. | |
| DRAWN BY JHNU | MAT'L: STEEL | SCALE NONE | DWG A |
| DATE 5-24-01 | CHECKED BY | DRAWING NO. 38022-29 | SIZE |

| REV | DATE | BY | CHK | DESCRIPTION | ECN | CHK | CUST | SUP |
|-----|---------|------|-----|-------------------------|----------|-----|------|-----|
| R | 5-24-01 | JHNU | | RELEASED TO PRODUCTION. | 38022-29 | | | |