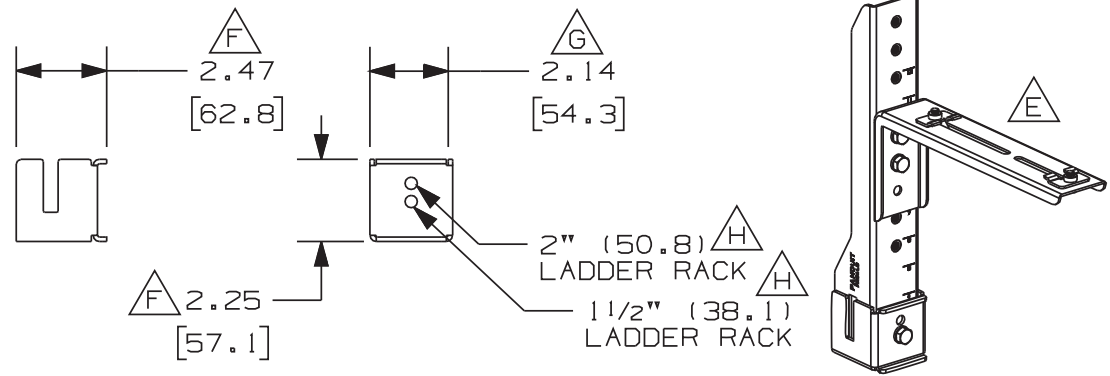


PANDUIT PART NUMBER	WEIGHT
FR6ALB	2.90 LB/EACH (1315g/EACH)

**NOTES:**

- SEE CURRENT CATALOG FOR ADDITIONAL PART SUFFIXES TO INDICATE PACKAGE QUANTITY.
- THE FIBERRUNNER 6x4 QUIKLOCK ADJUSTABLE LADDER RACK BRACKET ALLOWS FOR THE FIBERRUNNER 4x4 AND/OR 6x4 CABLE ROUTING SYSTEMS TO BE MOUNTED TO THE STRINGER OF 3/8"x1 1/2" (9.5x38.1) OR 3/8"x2" (9.5x50.8) LADDER RACK.
- THE FIBERRUNNER 6x4 QUIKLOCK ADJUSTABLE LADDER RACK BRACKET INCLUDES:  
ONE (1) CLASP BRACKET,  
ONE (1) VERTICAL BRACKET ASSEMBLY,  
ONE (1) "L" BRACKET ASSEMBLY,  
THREE (3) 5/16 HELICAL SPRING LOCKWASHERS,  
THREE (3) 5/16-18x3/4 HEX HEAD CAP SCREWS
- FINISH COLOR: BLACK (EXCEPT FOR HARDWARE)
- DIMENSIONS IN PARENTHESIS ARE IN METRIC.



ENG. REF.: D37585DG\_DC\_FR6ALB\_01A.prt

CAD FILENAME/LAYERS

**FR6ALB.pdf**

**PANDUIT** CORP TINLEY PARK, ILLINOIS  
**FIBERRUNNER 6x4 QUIKLOCK ADJUSTABLE LADDER RACK BRACKET (FR6ALB) CUSTOMER DRAWING**

UNLESS OTHERWISE SPECIFIED, DIMENSIONAL TOLERANCES ARE:  
 (.X) ± .03 (.8)      (.XXX) ± .03 (1.27)  
 (.XX) ± .03 (.8)      ANGLES ± .5°

UNLESS OTHERWISE SPECIFIED, ALL DIMENSIONS ARE GIVEN IN INCHES, THIRD ANGLE PROJECTION.

REV	DATE	BY	CHK	DESCRIPTION	ECN	R	CUST	SUP	GMBH
2	4-15-05	MSO	RPA	C. REVISED DRAWING TITLE. B. REVISED CAD FILENAME.	37585-79	RN	RN		
1	2-26-01	JHNU	CVV	A. ADDED NOTE.	37585-79	HIW	HIW		
R	12-7-00	MSO	CVV	RELEASED TO PRODUCTION	37585-79	RN	RN		

DRAWN BY: MSO  
 DATE: 12-7-00  
 CHK'D: CVV

MAT'L: STEEL

SCALE: NONE  
 DRAWING NO.: 37585-79  
 DWG SIZE: A