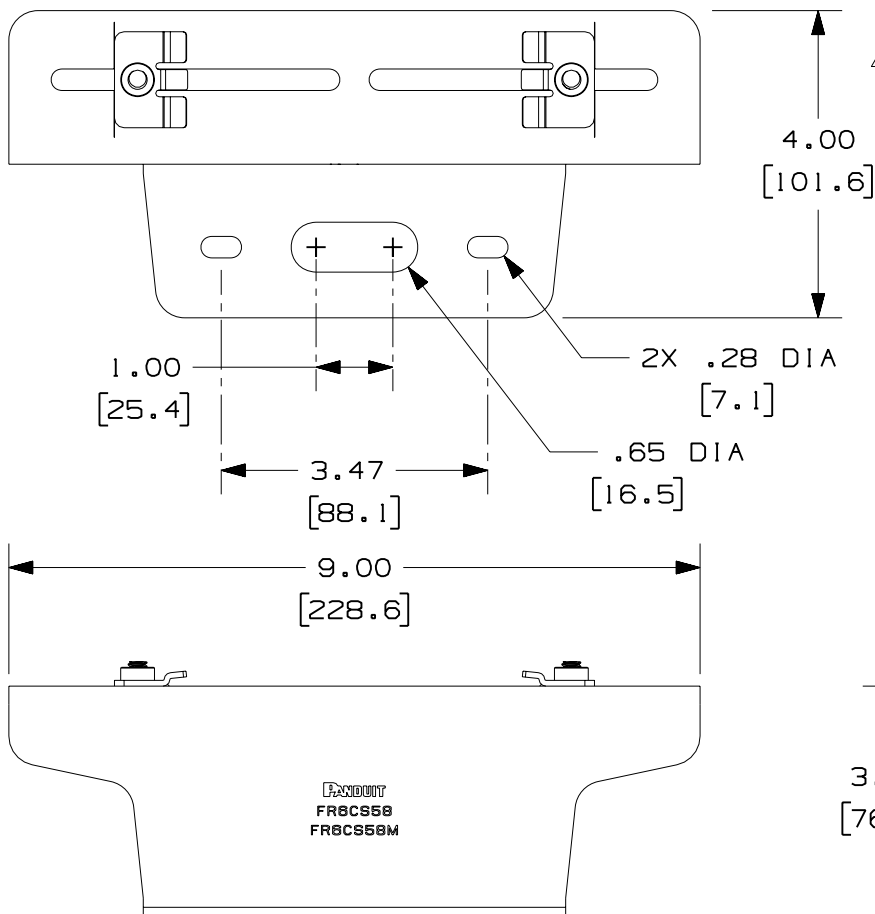


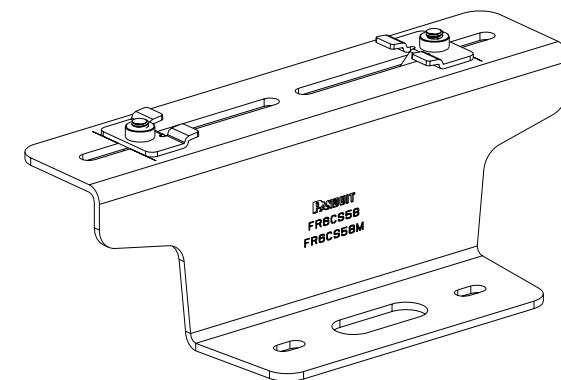
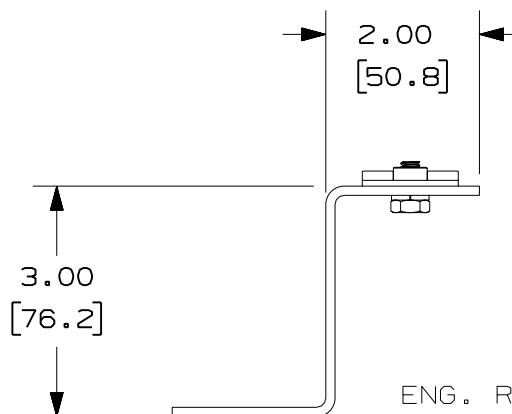


PANDUIT P/N	WEIGHT
FR6CS58 FR6CS58M	1.91 LB/EACH (864g/EACH)



NOTES:

- SEE CURRENT CATALOG FOR ADDITIONAL PART SUFFIXES TO INDICATE PACKAGE QUANTITY.
- THE FIBERRUNNER 4x4 AND 6x4 QUIKLOCK CENTER SUPPORT BRACKET IS USED TO SUPPORT THE FIBERRUNNER 4x4 AND/OR 6x4 CABLE ROUTING SYSTEMS FROM NEW 5/8" (M16) THREADED ROD (NOT INCLUDED).
- THE FIBERRUNNER 4x4 AND 6x4 QUIKLOCK CENTER SUPPORT BRACKET INCLUDES:
ONE (1) BRACKET ASSEMBLY,
TWO (2) 5/8 HELICAL SPRING LOCKWASHERS,
TWO (2) 5/8-11 HEAVY HEX NUTS (FR6CS58 ONLY),
TWO (2) M16x2 HEX NUTS (FR6CS58M ONLY).
- FINISH COLOR: BLACK (EXCEPT FOR HARDWARE).
- DIMENSIONS IN PARENTHESES ARE IN METRIC.



ENG. REF.: D38022BM_DC_FR6CS58_02.prt

CAD FILENAME/LAYERS	FR6CS58.pdf
---------------------	-------------

PANDUIT CORP TINLEY PARK, ILLINOIS
 FIBERRUNNER 4x4 AND 6x4 QUIKLOCK CENTER SUPPORT BRACKET - 5/8" (M16) THREADED ROD (FR6CS58, FR6CS58M)
 CUSTOMER DRAWING

UNLESS OTHERWISE SPECIFIED, DIMENSIONAL TOLERANCES ARE: (.X) ± (.XXX) ± (.XX) ± .03 (.8) ANGLES ±		UNLESS OTHERWISE SPECIFIED, ALL DIMENSIONS ARE GIVEN IN INCHES, THIRD ANGLE PROJECTION.	
DRAWN BY: MSO	MAT'L: STEEL	SCALE: NONE	DWG: A
DATE: 4-19-01		DRAWING NO.: 38022-28	SIZE: A
CHK'D: CFG			

REV	DATE	BY	CHK	DESCRIPTION	ECN	R	CUST	SUP	GMBH
-	-----	---	--	F. REVISED PART WEIGHT.	-----	--	--		
-	-----	---	--	E. REVISED GENERAL NOTES D. REVISED DRAWING TITLE.	-----	--	--		
2	8-2-06	MSO	RN	C. REVISED CAD FILENAME. B. REVISED AND REDRAWN.	38022-28	RN	RN		