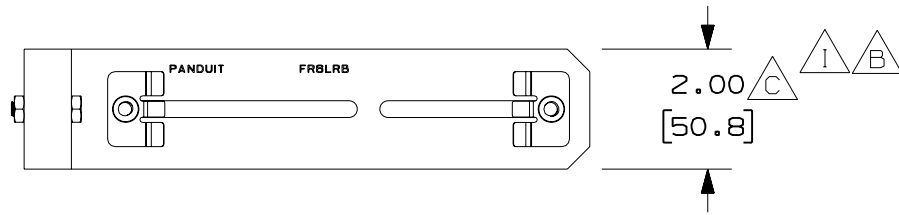


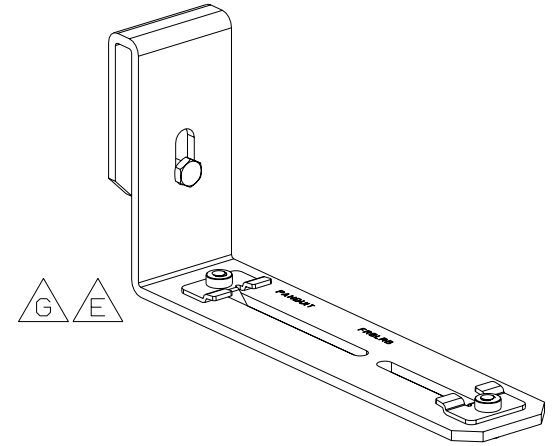
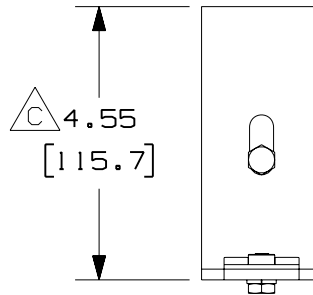
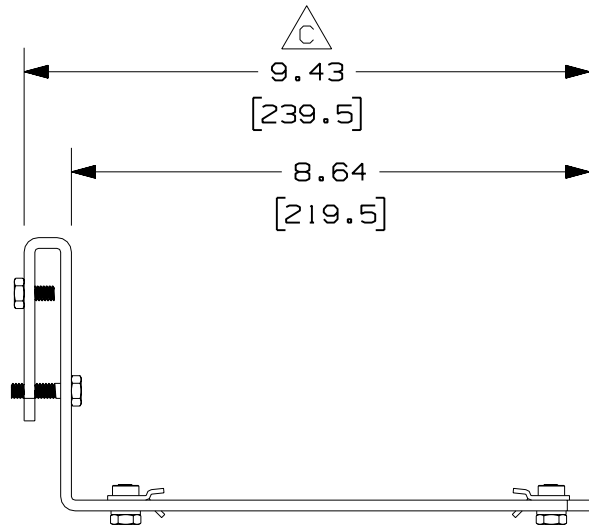
THIS COPY IS PROVIDED ON A RESTRICTED BASIS AND IS NOT TO BE USED IN ANY WAY DETRIMENTAL TO THE INTERESTS OF PANDUIT CORP.

PANDUIT PART NUMBER	WEIGHT
FR6LRB	1.63 LB/EACH (738g/EACH)



**NOTES:**

1. SEE CURRENT CATALOG FOR ADDITIONAL PART SUFFIXES TO INDICATE PACKAGE QUANTITY.
2. THE FIBERRUNNER 4x4 AND 6x4 QUIKLOCK LADDER RACK BRACKET IS USED TO SUPPORT THE FIBERRUNNER 4x4 AND/OR 6x4 CABLE ROUTING SYSTEMS FROM A 3/8"x1 1/2" (9.5x38.1) OR A 3/8"x2" (9.5x50.8) LADDER RACK STRINGER WITHOUT THE USE OF THREADED ROD.
3. THE FIBERRUNNER 4x4 AND 6x4 QUIKLOCK LADDER RACK BRACKET INCLUDES:  
ONE (1) BRACKET ASSEMBLY.
4. FINISH COLOR: BLACK (EXCEPT FOR HARDWARE)
5. DIMENSIONS IN PARENTHESES ARE IN METRIC.



ENG. REF.: D37585BF\_DC\_FR6LRB\_02.prt

CAD FILENAME/LAYERS	FR6LRB.pdf
---------------------	------------

REV	DATE	BY	CHK	DESCRIPTION	ECN	R	CUST	SUP	GMBH
-	-----	---	--	J. REVISED DRAWING TITLE. I. REVISED GENERAL NOTES.	-----	--	--		
2	8-1-06	DTP	RN	H. REVISED PART WEIGHT. G. REVISED PART GEOMETRY.	37585-21	RN	RN		
-	-----	---	---	F. REVISED CAD FILENAME. E. REVISED PART GEOMETRY.	-----	--	--		
-	-----	---	---	D. REMOVED LOCAL NOTE. C. RELOCATED DIMENSIONS.	-----	--	--		
1	2-17-05	MSO	RPA	B. REVISED GENERAL NOTES. A. REVISED DRAWING TITLE.	37585-21	RN	RN		
R	5-11-00	MSO	CVV	RELEASED TO PRODUCTION	37585-21	HIW	HIW		

<b>PANDUIT</b> CORP TINLEY PARK, ILLINOIS	
<b>FIBERRUNNER 4x4 AND 6x4 QUIKLOCK LADDER RACK BRACKET (FR6LRB)</b> CUSTOMER DRAWING	
UNLESS OTHERWISE SPECIFIED, DIMENSIONAL TOLERANCES ARE: (.X) ± (.XXX) ± (.XX) ± .03 (.8) ANGLES ±	UNLESS OTHERWISE SPECIFIED, ALL DIMENSIONS ARE GIVEN IN INCHES, THIRD ANGLE PROJECTION.
DRAWN BY: MSO DATE: 5-11-00 CHK'D: CVV	MAT'L: STEEL
SCALE: NONE	
DRAWING NO.: 37585-21	
DWG SIZE: A	