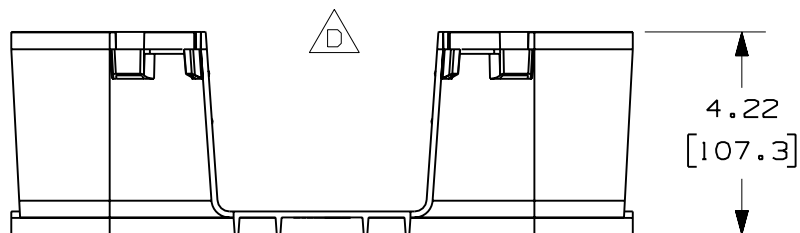
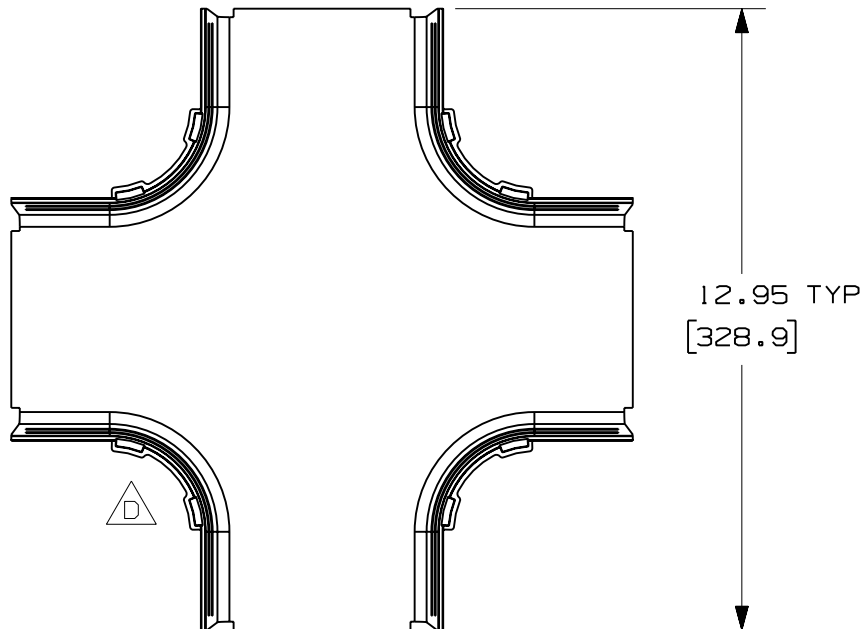


THIS COPY IS PROVIDED ON A RESTRICTED BASIS AND IS NOT TO BE USED IN ANY WAY DETRIMENTAL TO THE INTERESTS OF PANDUIT CORP.

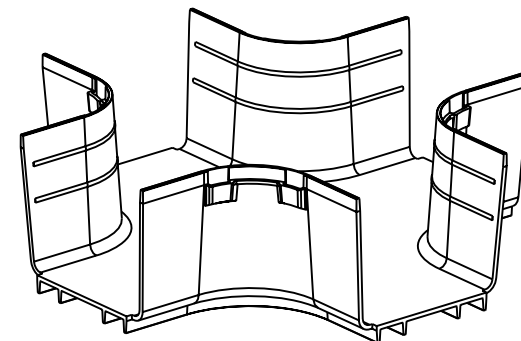


| | |
|---------------------|-----------------------------|
| PANDUIT PART NUMBER | WEIGHT |
| FRFWC4X4 | 1.20 LB/EACH (542g/EACH) |



NOTES:

1. SEE CURRENT CATALOG FOR ADDITIONAL PART SUFFIXES TO INDICATE COLOR AND/OR PACKAGE QUANTITY.
2. THE FIBERRUNNER 4x4 FOUR-WAY CROSS FITTING IS DESIGNED WITH A MINIMUM 2" (50.8) BEND RADIUS TO PROTECT FIBER OPTIC CABLES.
3. DIMENSIONS IN PARENTHESES ARE IN METRIC.



ENG. REF.: D37847BK_DC_FRFWC4X4_01.prt

CAD FILENAME/LAYERS **A** FRFWC4X4.pdf

PANDUIT CORP TINLEY PARK, ILLINOIS
FIBERRUNNER 4x4 FOUR-WAY CROSS FITTING (FRFWC4X4)
 CUSTOMER DRAWING

| | | | |
|---------------------------------------------------------------------------------------------------------|---------------|-----------------------------------------------------------------------------------------|-----------|
| UNLESS OTHERWISE SPECIFIED, DIMENSIONAL TOLERANCES ARE: (.X) ± (.XXX) ± (.XX) ± .03 (.8) ANGLES ± | | UNLESS OTHERWISE SPECIFIED, ALL DIMENSIONS ARE GIVEN IN INCHES, THIRD ANGLE PROJECTION. | |
| DRAWN BY JHNU | MAT'L: ABS | SCALE NONE | DWG A |
| DATE 7-16-01 | | DRAWING NO. 37847-58 | SIZE A |
| CHK'D RPA | | | |

| REV | DATE | BY | CHK | DESCRIPTION | ECN | R | CUST | SUP | GMBH |
|-----|---------|------|-----|-----------------------------------------------------|----------|-----|------|-----|------|
| - | ----- | --- | -- | E. REVISED GENERAL NOTES | ----- | -- | -- | | |
| - | ----- | --- | -- | D. REVISED DRAWING VIEWS C. REVISED PART WEIGHT | ----- | -- | -- | | |
| 1 | 6-27-06 | DTP | RN | B. REVISED DRAWING TITLE A. REVISED CAD FILENAME | 38747-58 | RN | RN | | |
| R | 7-16-01 | JHNU | RPA | RELEASED TO PRODUCTION | 37847-58 | HIW | HIW | | |