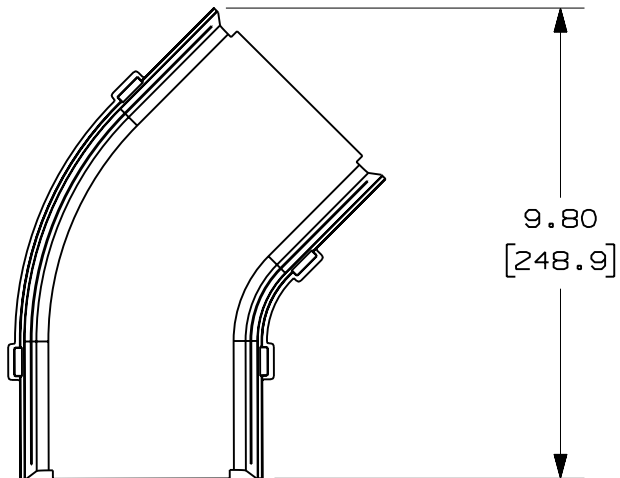


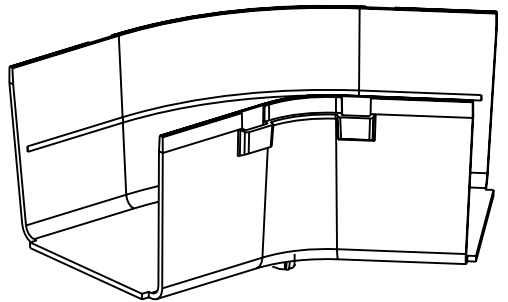
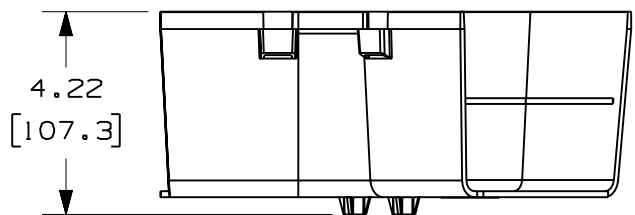
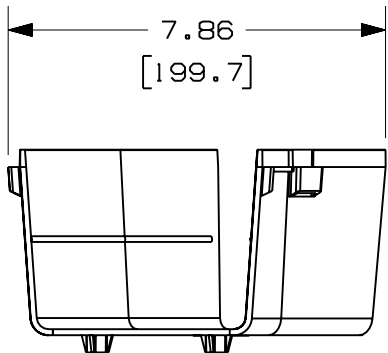
THIS COPY IS PROVIDED ON A RESTRICTED BASIS AND IS NOT TO BE USED IN ANY WAY DETRIMENTAL TO THE INTERESTS OF PANDUIT CORP.



PANDUIT PART NUMBER	WEIGHT
FRH454X4	0.59 LB/EACH (266g/EACH)

NOTES:

1. SEE CURRENT CATALOG FOR ADDITIONAL PART SUFFIXES TO INDICATE COLOR AND/OR PACKAGE QUANTITY.
2. THE FIBERRUNNER 4x4 HORIZONTAL 45° ANGLE FITTING IS DESIGNED WITH A MINIMUM 2" (50.8) BEND RADIUS TO PROTECT FIBER OPTIC CABLES.
3. DIMENSIONS IN PARENTHESES ARE IN METRIC.



ENG. REF.: D37847BM_DC_FRH454X4_02.prt

CAD FILENAME/LAYERS: FRH454X4.pdf

REV	DATE	BY	CHK	DESCRIPTION	ECN	R	CUST	SUP	GMBH
-	-----	---	---	G. REVISED GENERAL NOTES	-----	--	--		
-	-----	---	---	F. REVISED PART WEIGHT E. REVISED CAD FILENAME	-----	--	--		
2	6-28-06	DTP	RN	D. REVISED DRAWING TITLE C. REVISED AND REDRAWN	37847-56	RN	RN		

<p>PANDUIT CORP TINLEY PARK, ILLINOIS</p> <p>FIBERRUNNER 4x4 HORIZONTAL 45° ANGLE FITTING (FRH454X4)</p> <p>CUSTOMER DRAWING</p>	
<p>UNLESS OTHERWISE SPECIFIED, DIMENSIONAL TOLERANCES ARE:</p> <p>(.X) ± (.XXX) ±</p> <p>(.XX) ± .03 (.8) ANGLES ±</p>	<p>UNLESS OTHERWISE SPECIFIED, ALL DIMENSIONS ARE GIVEN IN INCHES, THIRD ANGLE PROJECTION.</p>
<p>DRAWN BY: JHNU</p> <p>DATE: 7-16-01</p> <p>CHK'D: RPA</p>	<p>MAT'L: ABS</p> <p>SCALE: NONE</p> <p>DRAWING NO.: 37847-56</p> <p>DWG SIZE: A</p>