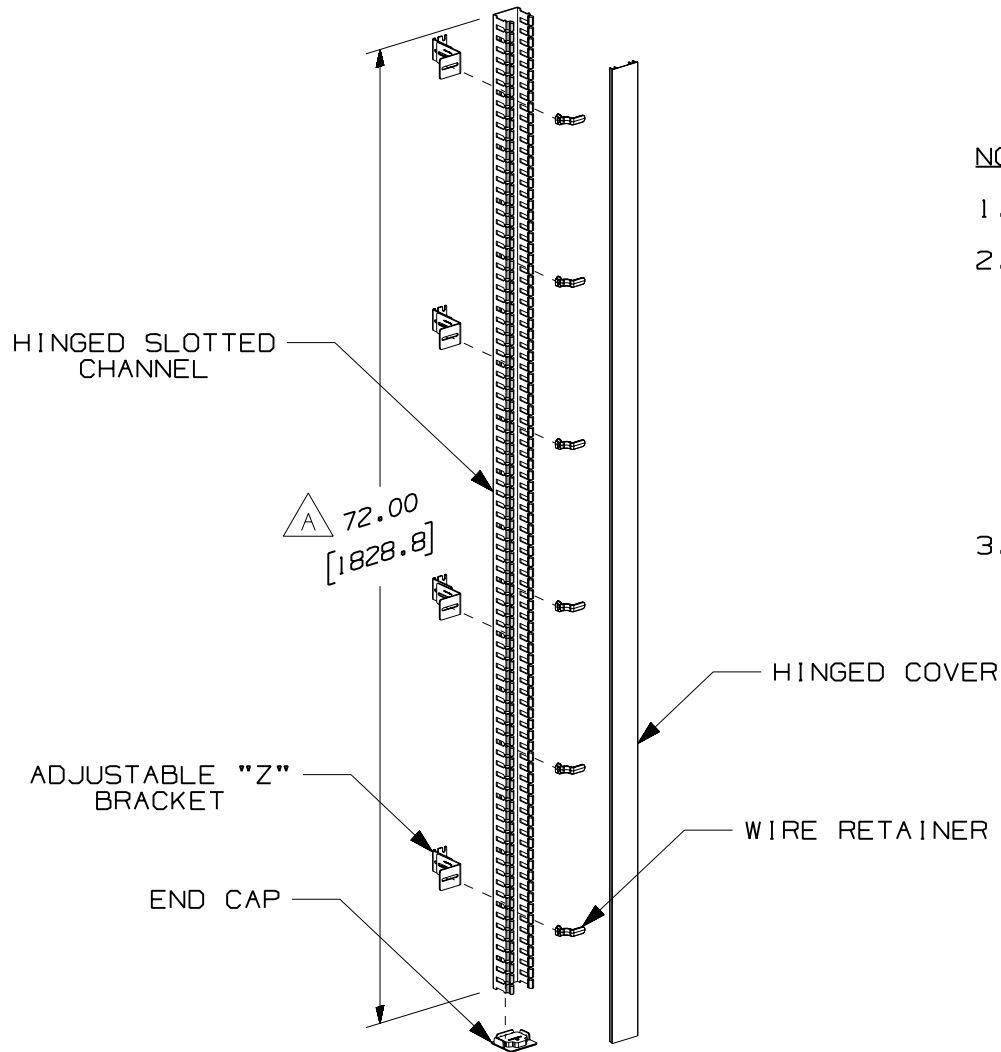


THIS COPY IS PROVIDED ON A RESTRICTED BASIS AND IS NOT TO BE USED IN ANY WAY DETRIMENTAL TO THE INTERESTS OF PANDUIT CORP.



PANDUIT PART NUMBER	WEIGHT
FRHD2KT	3.82 LB/EACH (1734g/EACH)



NOTES:

- SEE CURRENT CATALOG FOR ADDITIONAL PART SUFFIXES TO INDICATE COLOR AND/OR PACKAGE QUANTITY.
- THE FIBERRUNNER HINGED DUCT 2x2 KIT CONTAINS THE FOLLOWING:
 ONE (1) FIBERRUNNER 2x2 HINGED SLOTTED CHANNEL (H2X2**6),
 ONE (1) FIBERRUNNER 2x2 HINGED COVER (HC2**6),
 SIX (6) PANDUCT TYPE H WIRING DUCT 2" (50.8) WIRE RETAINERS (WR2H-C),
 ONE (1) PANDUCT TYPES H AND HS 2x2 WIRING DUCT END CAP (FHDEC2X2),
 FOUR (4) FIBER ROUTING ADJUSTABLE "Z" BRACKETS (FZBA1.5X4).
- DIMENSIONS IN PARENTHESES ARE IN METRIC.

ENG. REF.: D39279BA_DC_FRHD2KT_01.prt

CAD FILENAME/LAYERS: FRHD2KT.pdf

PANDUIT CORP TINLEY PARK, ILLINOIS
FIBERRUNNER HINGED DUCT 2x2 KIT (FRHD2KT)
 CUSTOMER DRAWING

UNLESS OTHERWISE SPECIFIED, DIMENSIONAL TOLERANCES ARE:
 (.X) ± (.XXX) ±
 (.XX) ± .03 (.8) ANGLES ±

UNLESS OTHERWISE SPECIFIED, ALL DIMENSIONS ARE GIVEN IN INCHES, THIRD ANGLE PROJECTION.

REV	DATE	BY	CHK	DESCRIPTION	ECN	R	CUST	SUP	GMBH
2	7-25-06	DTP	RN	B. REVISED PART WEIGHT	39279-01	RN	RN		
1	11-17-05	MSO	DJWA	A. ADDED DIMENSION.	39279-01	RN	RN		
R	10-19-05	MSO	DJWA	RELEASED TO PRODUCTION	39279-01	RN	RN		

DRAWN BY: MSO
 DATE: 10-19-05
 CHK'D: DJWA

MAT'L: N/A

SCALE: NONE
 DRAWING NO.: 39279-01
 DWG SIZE: A