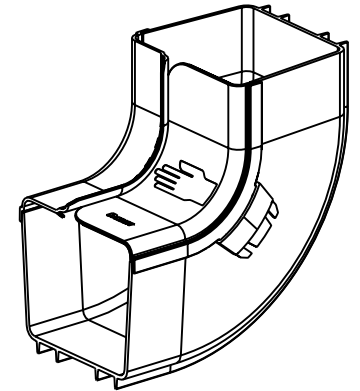
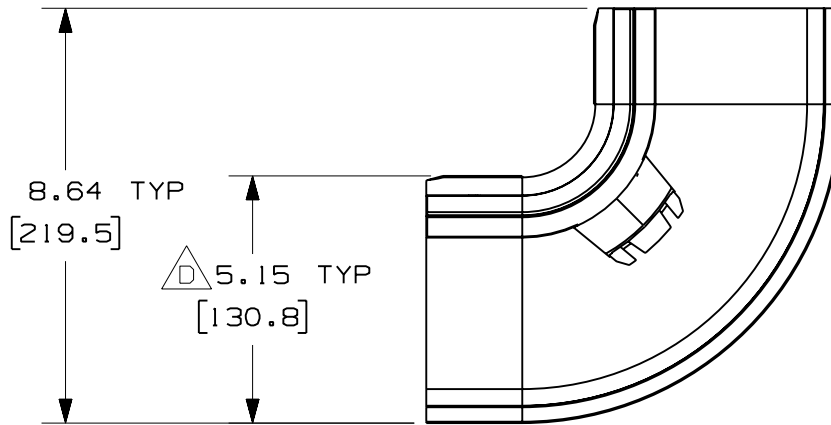
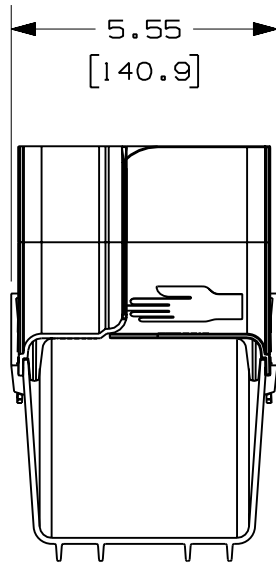


PANDUIT PART NUMBER	WEIGHT
FRIVRA4X4	1.09 LB/EACH 494g/EACH

NOTES:

1. SEE CURRENT CATALOG FOR ADDITIONAL PART SUFFIXES TO INDICATE COLOR AND/OR PACKAGE QUANTITY.
2. THE FIBERRUNNER 4x4 INSIDE VERTICAL RIGHT ANGLE FITTING IS DESIGNED WITH A MINIMUM 2" (50.8) BEND RADIUS TO PROTECT FIBER OPTIC CABLES.
3. THE FIBERRUNNER 4x4 INSIDE VERTICAL RIGHT ANGLE FITTING INCLUDES:
ONE (1) INSIDE VERTICAL RIGHT ANGLE BASE,
ONE (1) FIXED COVER SECTION,
ONE (1) MOVEABLE COVER SECTION
4. DIMENSIONS IN PARENTHESES ARE IN METRIC.



ENG. REF.: D38778BJ_DC_FRIVRA4X4_01.prt

CAD FILENAME/LAYERS: FRIVRA4X4.pdf

PANDUIT CORP TINLEY PARK, ILLINOIS
FIBERRUNNER 4x4 INSIDE VERTICAL RIGHT ANGLE FITTING (FRIVRA4X4)
 CUSTOMER DRAWING

UNLESS OTHERWISE SPECIFIED, DIMENSIONAL TOLERANCES ARE:

(.X) ± (.XXX) ±
 (.XX) ± .03 (.8) ANGLES ±

UNLESS OTHERWISE SPECIFIED, ALL DIMENSIONS ARE GIVEN IN INCHES, THIRD ANGLE PROJECTION.

REV	DATE	BY	CHK	DESCRIPTION	ECN	R	CUST	SUP	GMBH
-	-----	---	--	D. ADDED DIMENSION C. REVISED GENERAL NOTES	-----	--	--		
1	7-6-06	DTP	RN	B. REVISED PART WEIGHT A. REVISED DRAWING TITLE	38778-10	RN	RN		
R	8-17-04	MSO	SMF	RELEASED TO PRODUCTION	38778-10	RN	RN		

DRAWN BY: MSO
 DATE: 8-17-04
 CHK'D: SMF

MAT'L: ABS

SCALE: NONE
 DRAWING NO.: 38778-10
 DWG SIZE: A