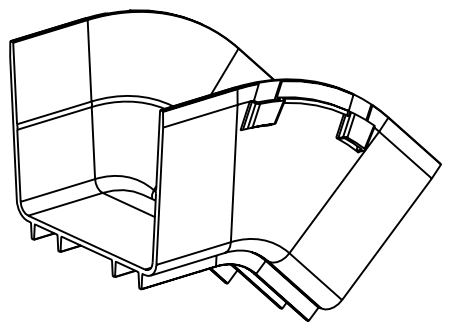
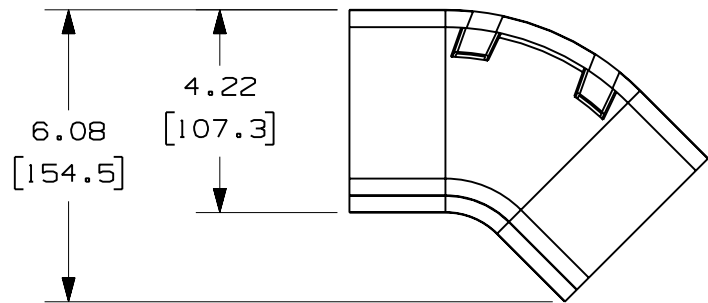
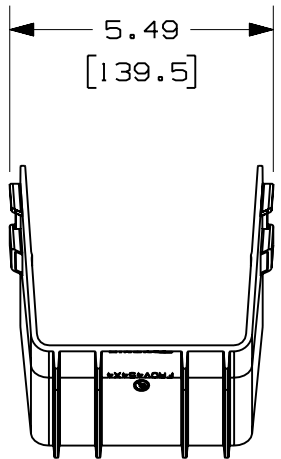


E NOTES:

1. SEE CURRENT CATALOG FOR ADDITIONAL PART SUFFIXES TO INDICATE COLOR AND/OR PACKAGE QUANTITY.
2. THE FIBERRUNNER 4x4 OUTSIDE VERTICAL 45° ANGLE FITTING IS DESIGNED WITH A MINIMUM 2" (50.8) BEND RADIUS TO PROTECT FIBER OPTIC CABLES.
3. DIMENSIONS IN PARENTHESES ARE IN METRIC.

PANDUIT PART NUMBER	WEIGHT
FROV454X4	0.44 LB/EACH (201g/EACH)



ENG. REF.: D37847BR_DC_FROV454X4_01.prt

CAD FILENAME/LAYERS **C** FROV454X4.pdf

REV	DATE	BY	CHK	DESCRIPTION	ECN	R	CUST	SUP	GMBH
-	-----	---	---	E. REVISED GENERAL NOTES	-----	--	--		
-	-----	---	---	D. REVISED PART WEIGHT C. REVISED CAD FILENAME	-----	--	--		
1	7-6-06	DTP	RN	B. REVISED DRAWING TITLE A. REVISED AND REDRAWN	37847-63	RN	RN		

PANDUIT CORP TINLEY PARK, ILLINOIS
FIBERRUNNER 4x4 OUTSIDE VERTICAL 45° ANGLE FITTING (FROV454X4)
 CUSTOMER DRAWING

UNLESS OTHERWISE SPECIFIED, DIMENSIONAL TOLERANCES ARE: (.X) ± (.XXX) ± (.XX) ± .03 (.8) ANGLES ±		UNLESS OTHERWISE SPECIFIED, ALL DIMENSIONS ARE GIVEN IN INCHES, THIRD ANGLE PROJECTION.	
DRAWN BY JHNU	MAT'L: ABS	SCALE NONE	DWG A
DATE 7-17-01	CHK'D LD	DRAWING NO. 37847-63	SIZE A