

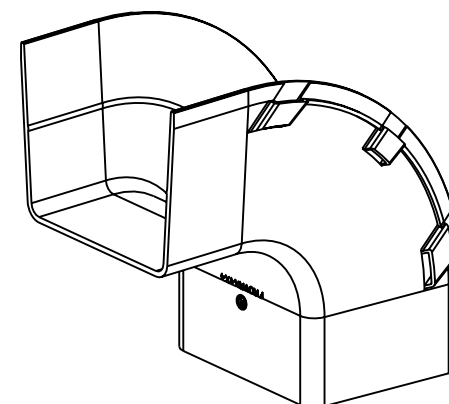
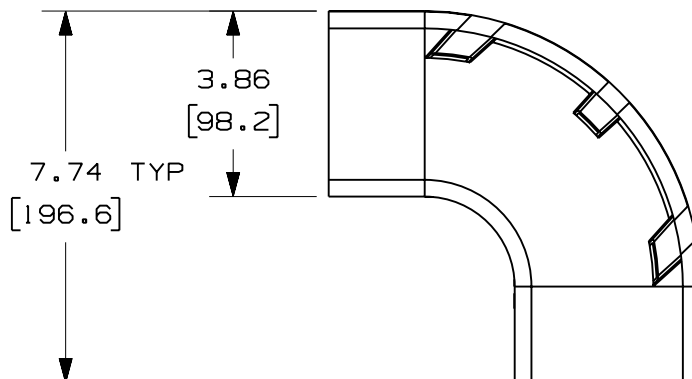
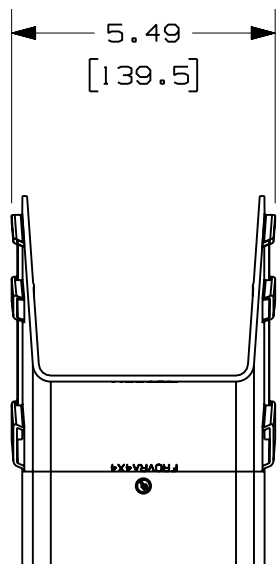


PANDUIT PART NUMBER	WEIGHT
FROVRA4X4	0.56 LB/EACH (254g/EACH)



**NOTES:**

1. SEE CURRENT CATALOG FOR ADDITIONAL PART SUFFIXES TO INDICATE COLOR AND/OR PACKAGE QUANTITY.
2. THE FIBERRUNNER 4x4 OUTSIDE VERTICAL RIGHT ANGLE FITTING IS DESIGNED WITH A MINIMUM 2" (50.8) BEND RADIUS TO PROTECT FIBER OPTIC CABLES.
3. DIMENSIONS IN PARENTHESES ARE IN METRIC.



ENG. REF.: D37847BS\_DC\_FROVRA4X4\_02.prt

CAD FILENAME/LAYERS

**E** FROVRA4X4.pdf

**PANDUIT** CORP TINLEY PARK, ILLINOIS  
**FIBERRUNNER 4x4 OUTSIDE VERTICAL  
 RIGHT ANGLE FITTING (FROVRA4X4)**  
 CUSTOMER DRAWING

UNLESS OTHERWISE SPECIFIED,  
 DIMENSIONAL TOLERANCES ARE:  
 (.X) ± (.XXX) ±  
 (.XX) ± .03 (.8) ANGLES ±

UNLESS OTHERWISE SPECIFIED,  
 ALL DIMENSIONS ARE GIVEN IN  
 INCHES, THIRD ANGLE PROJECTION.

DRAWN BY: JHNU  
 DATE: 7-16-01  
 CHK'D: LD

MAT'L:

ABS

SCALE: NONE

DRAWING NO.: 37847-61

DWG  
 A  
 SIZE

REV	DATE	BY	CHK	DESCRIPTION	ECN	R	CUST	SUP	GMBH
-	-----	---	---	G. REVISED GENERAL NOTES F. REVISED PART WEIGHT	-----	--	--		
2	7-7-06	DTP	RN	E. REVISED CAD FILENAME D. REVISED AND REDRAWN	37847-61	RN	RN		