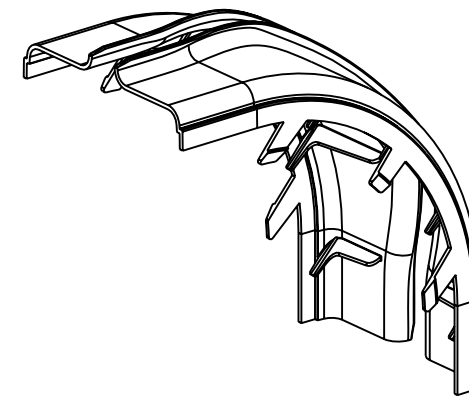
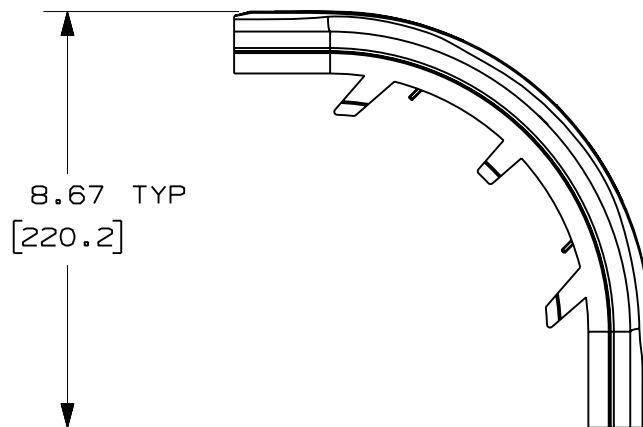
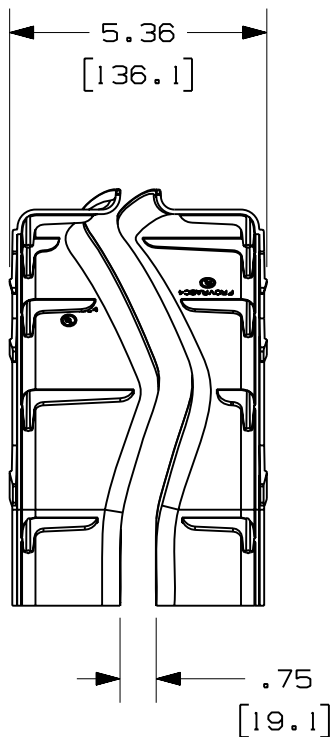


PANDUIT PART NUMBER	WEIGHT
FROVRASC4	0.40 LB/EACH (182g/EACH)



△ NOTES:

1. SEE CURRENT CATALOG FOR ADDITIONAL PART SUFFIXES TO INDICATE COLOR AND/OR PACKAGE QUANTITY.
2. THE FIBERRUNNER 4x4 OUTSIDE VERTICAL RIGHT ANGLE SPLIT COVER REQUIRES NO TOOLS FOR INSTALLATION AND/OR REMOVAL. THE SPLIT COVER CREATES A 3/4" (19.1) RADIUS OPENING TO ALLOW FOR NEW CABLES TO BE ADDED WITHOUT THE NEED FOR REMOVING THE COVERS.
3. DIMENSIONS IN PARENTHESES ARE IN METRIC.



ENG. REF.: D37847DA_DC_FROVRASC4_01.prt

CAD FILENAME/LAYERS		△ D FROVRASC4.pdf	
PANDUIT CORP		TINLEY PARK, ILLINOIS	
FIBERRUNNER 4x4 OUTSIDE VERTICAL RIGHT ANGLE SPLIT COVER (FROVRASC4)			
△ C CUSTOMER DRAWING			
UNLESS OTHERWISE SPECIFIED, DIMENSIONAL TOLERANCES ARE:		UNLESS OTHERWISE SPECIFIED, ALL DIMENSIONS ARE GIVEN IN INCHES, THIRD ANGLE PROJECTION.	
(.X) ± (.XX) ± .03 (.8)		(.XXX) ± ANGLES ±	
DRAWN BY	MAT'L:	SCALE	NONE
JHNU	ABS	DRAWING NO.	37847-62
DATE		DWG	A
7-16-01		SIZE	A
CHK'D	LD		

REV	DATE	BY	CHK	DESCRIPTION	ECN	R	CUST	SUP	GMBH
-	-----	---	---	F. REVISED PART WEIGHT	-----	--	--		
-	-----	---	---	E. REVISED GENERAL NOTES D. REVISED CAD FILENAME	-----	--	--		
2	7-10-06	DTP	RN	C. REVISED DRAWING TITLE B. REVISED AND REDRAWN	37847-62	RN	RN		