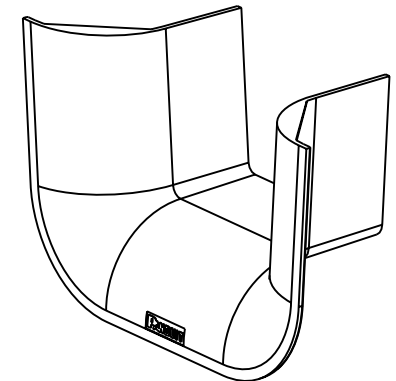
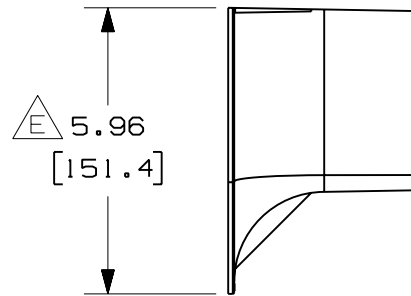
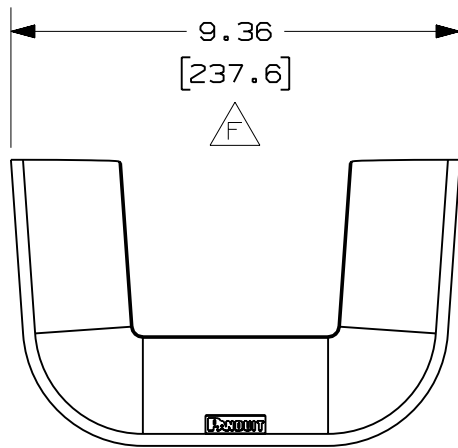
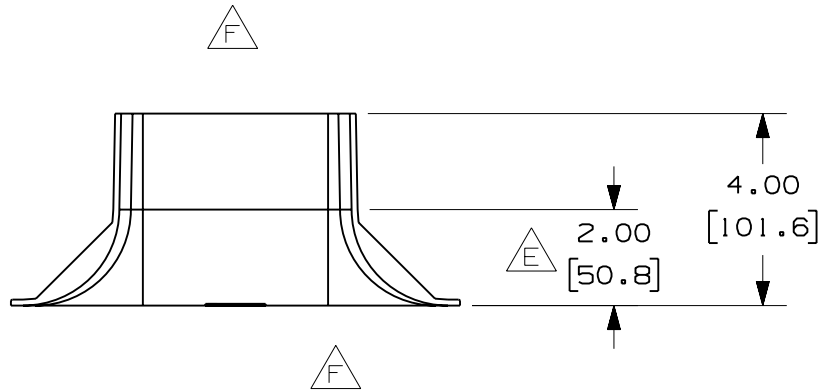


PANDUIT PART NUMBER	WEIGHT
FRTR4X4	0.38 LB/EACH (173g/EACH)



△C NOTES:

1. SEE CURRENT CATALOG FOR ADDITIONAL PART SUFFIXES TO INDICATE COLOR AND/OR PACKAGE QUANTITY.
2. THE FIBERRUNNER 4x4 3-SIDED BEND RADIUS CONTROL TRUMPET IS DESIGNED WITH A MINIMUM 2" (50.8) BEND RADIUS TO PROTECT FIBER OPTIC CABLES.
3. DIMENSIONS IN PARENTHESES ARE IN METRIC.



ENG. REF.: D37847BC_DC_FRTR4X4_01.prt

CAD FILENAME/LAYERS **△B** FRTR4X4.pdf

PANDUIT CORP TINLEY PARK, ILLINOIS
FIBERRUNNER 4x4 3-SIDED BEND RADIUS CONTROL TRUMPET (FRTR4X4)
△A CUSTOMER DRAWING

UNLESS OTHERWISE SPECIFIED, DIMENSIONAL TOLERANCES ARE:
 (.X) ± (.XXX) ±
 (.XX) ± .03 (.8) ANGLES ±

UNLESS OTHERWISE SPECIFIED, ALL DIMENSIONS ARE GIVEN IN INCHES, THIRD ANGLE PROJECTION.

-	-----	---	---	F. REMOVED DIMENSIONS E. RELOCATED DIMENSIONS	-----	--	--													
-	-----	---	---	D. REVISED PART WEIGHT C. REVISED GENERAL NOTES	-----	--	--													
1	7-14-06	DTP	RN	B. REVISED CAD FILENAME A. REVISED DRAWING TITLE	37847-67	RN	RN													
R	7-18-01	JHNU	RPA	RELEASED TO PRODUCTION	37847-67	HIW	HIW													
REV	DATE	BY	CHK	DESCRIPTION	ECN	R	CUST	SUP	GMBH											

DRAWN BY JHNU	MAT'L: ABS	SCALE NONE
DATE 7-18-01		DRAWING NO. 37847-67
CHK'D RPA		DWG A SIZE