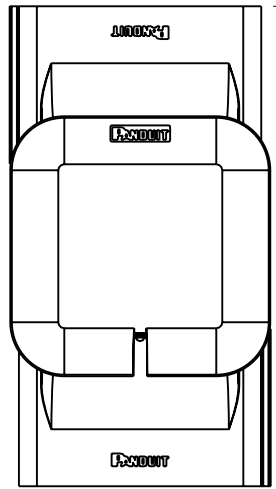
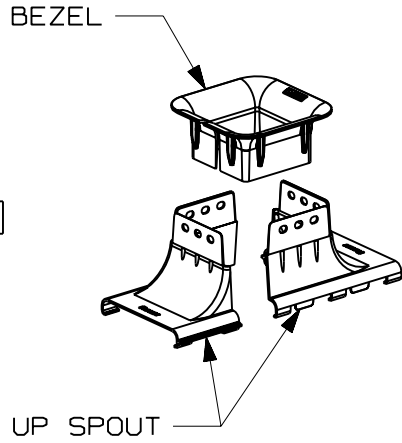


A



10.00
[254.0]

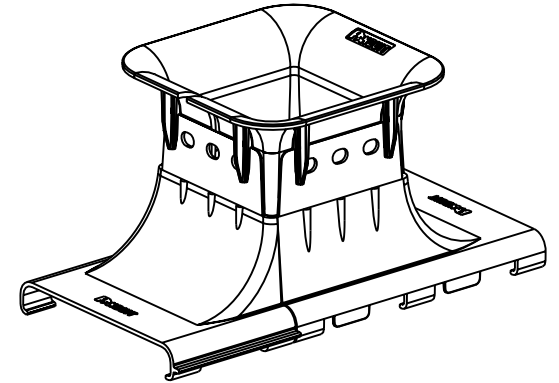
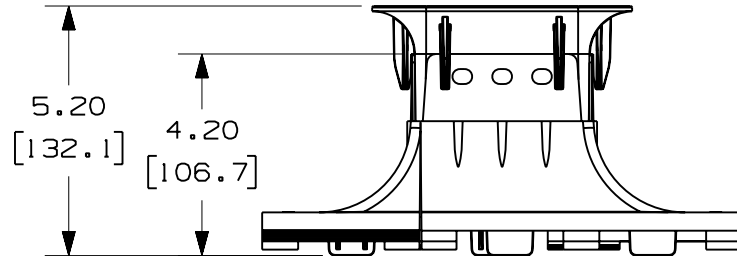
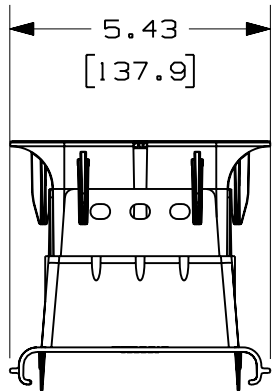


PANDUIT PART NUMBER	WEIGHT
FRUPS4X4	0.55 LB/EACH (248g/EACH)

E

NOTES:

1. SEE CURRENT CATALOG FOR ADDITIONAL PART SUFFIXES TO INDICATE COLOR AND/OR PACKAGE QUANTITY.
2. THE FIBERRUNNER 4x4 UP SPOUT IS DESIGNED WITH A MINIMUM 2" (50.8) BEND RADIUS TO PROTECT FIBER OPTIC CABLES. THE RADIUS BEZEL IS DESIGNED WITH A MINIMUM 1" (25.4) BEND RADIUS TO PROTECT FIBER OPTIC CABLES ENTERING OR EXITING THE FITTING.
3. THE FIBERRUNNER 4x4 UP SPOUT INCLUDES: TWO (2) UP SPOUT COMPONENTS, ONE (1) RADIUS BEZEL
4. DIMENSIONS IN PARENTHESES ARE IN METRIC.



ENG. REF.: D38154BE_DC_FRUPS4X4_01.prt

CAD FILENAME/LAYERS

C FRUPS4X4.pdf

PANDUIT CORP TINLEY PARK, ILLINOIS
FIBERRUNNER 4x4 UP SPOUT
 (FRUPS4X4)
 CUSTOMER DRAWING

UNLESS OTHERWISE SPECIFIED,
 DIMENSIONAL TOLERANCES ARE:

(.X) ± (.XXX) ±
 (.XX) ± .03 (.8) ANGLES ±

UNLESS OTHERWISE SPECIFIED,
 ALL DIMENSIONS ARE GIVEN IN
 INCHES, THIRD ANGLE PROJECTION.

DRAWN BY
 JHNU

MAT'L:

DATE
 10-12-01

ABS

SCALE
 NONE

DRAWING NO.
 38154-05

DWG
 A
 SIZE

REV	DATE	BY	CHK	DESCRIPTION	ECN	R	CUST	SUP	GMBH
-	-----	---	---	E. REVISED PART WEIGHT	-----	--	--		
-	-----	---	---	D. REVISED GENERAL NOTES C. REVISED CAD FILENAME	-----	--	--		
1	38154-05	DTP	RN	B. REVISED DRAWING TITLE A. REVISED AND REDRAWN	38154-05	RN	RN		