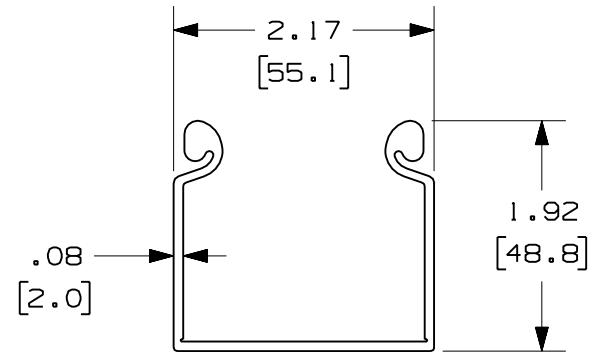
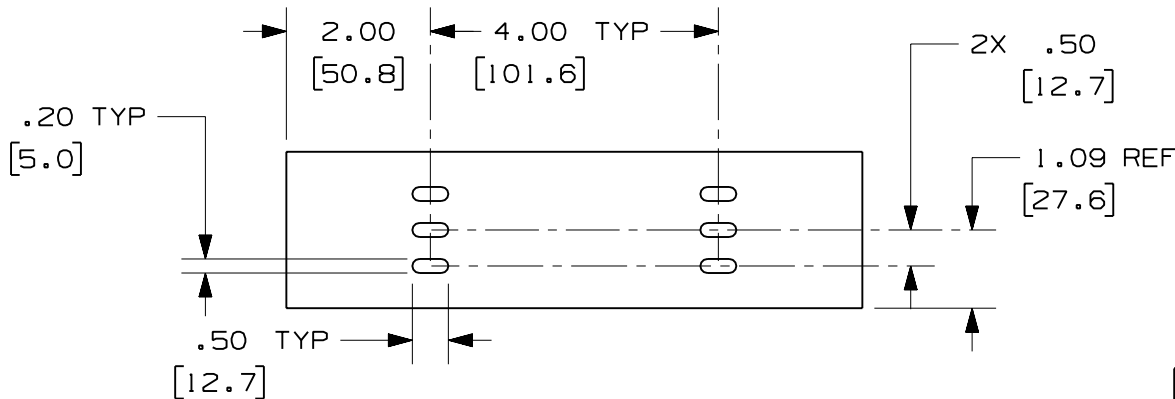
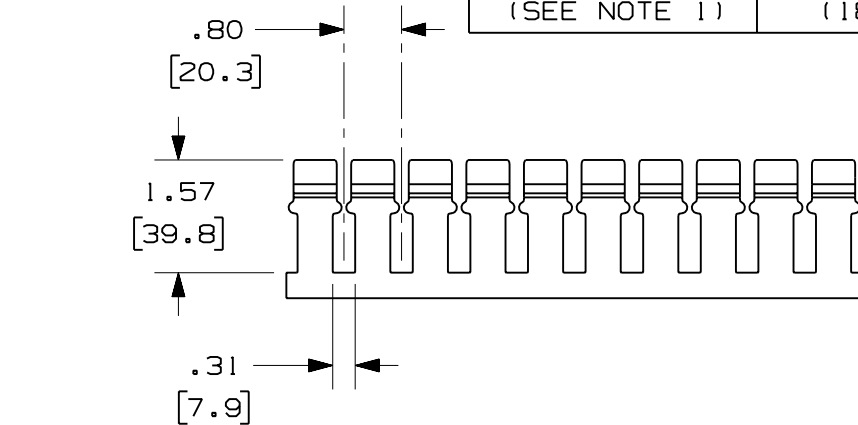


PANDUIT PART NUMBER	LENGTH	WEIGHT	WEIGHT/LENGTH
H2X2**2 (SEE NOTE 1)	78.74 IN ±.18 IN (2000.0mm ±4.6mm)	1.97 LB (894g)	0.30 LB/FT (4.5g/cm)
H2X2**6 (SEE NOTE 1)	72.00 IN ±.18 IN (1828.8mm ±4.6mm)	1.80 LB (816g)	0.30 LB/FT (4.5g/cm)

**NOTES:**

1. SEE CURRENT CATALOG FOR ADDITIONAL PART SUFFIXES TO INDICATE COLOR AND/OR PACKAGE QUANTITY.
2. DIMENSIONS IN PARENTHESES ARE IN METRIC.



ENG. REF.: D38258CJ\_DC\_H2X2\_00.prt

CAD FILENAME/LAYERS		H2X2.pdf	
<b>PANDUIT</b> CORP TINLEY PARK, ILLINOIS			
<b>FIBERRUNNER 2x2 HINGED SLOTTED CHANNEL (H2X2**2, H2X2**6)</b>			
CUSTOMER DRAWING			
UNLESS OTHERWISE SPECIFIED, DIMENSIONAL TOLERANCES ARE:		UNLESS OTHERWISE SPECIFIED, ALL DIMENSIONS ARE GIVEN IN INCHES, THIRD ANGLE PROJECTION.	
(.X) ±		(.XXX) ±	
(.XX) ±.03 (0.8)		ANGLES ±	
DRAWN BY	MAT'L:	SCALE	
MSO	PVC	NONE	
DATE		DRAWING NO.	DWG
1-8-07		38258-25	A
CHK'D			SIZE
	RN		

REV	DATE	BY	CHK	DESCRIPTION	ECN	R	CUST	SUP	GMBH
R	1-8-07	MSO	RN	RELEASED TO PRODUCTION	38258-25	RN	RN		