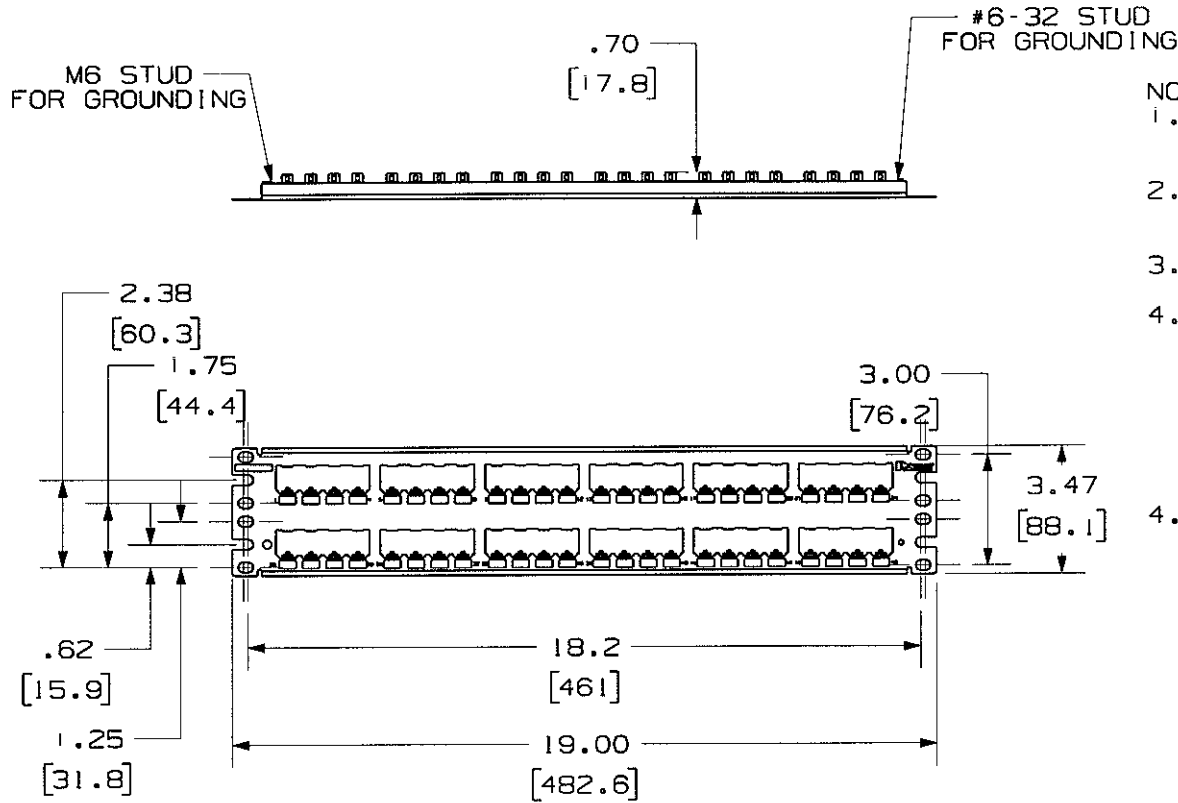


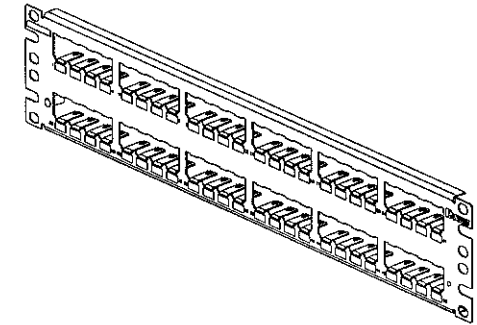
THIS COPY IS PROVIDED ON A RESTRICTED BASIS AND IS NOT TO BE USED IN ANY WAY DETRIMENTAL TO THE INTERESTS OF PANDUIT CORP.

PANDUIT P/N	WEIGHT
CP48**Y	6.51 LB/10 PCS (2952.9 g/10 PCS)



NOTES:

- SEE CURRENT CATALOG FOR ADDITIONAL PART NUMBER SUFFIXES TO INDICATE COLOR AND OR PACKAGE QUANTITY.
- SEE CATALOG FOR COMPLETE LIST OF PARTS APPLICABLE FOR USE WITH THIS PART.
- DIMENSIONS IN PARENTHESES ARE IN METRIC.
- PACKAGE CONTENTS:
 - 1- 48 PORT STAMPING
 - 1- SCREW KIT (INCLUDES FOUR #12-24 SCREWS AND FOUR LOCK WASHERS)
 - 1- SCREW KIT (INCLUDES FOUR M6 SCREWS)
 - 1- REMOVAL TOOL (CPT)
- PATCH PANELS ACCEPT SNAP-IN MINI-COM MODULES.



MODEL FILENAME	M02077AE_RCP48BL_00.PRT	SIZE	A
DRAWING FILENAME	M02479C1_DC62_00B.PRT		

MINI-COM 48 PORT ALL METAL
MODULAR PATCH PANEL
CUSTOMER DRAWING

<p>PANDUIT™ CORP. TINLEY PARK, ILL 60477</p>	T.I. NUMBER	N/A	
	PRODUCT SPEC	N/A	
	WORK INSTRUCTION	N/A	
	SCALE	NONE	
<p>THIRD ANGLE PROJECTION</p>	<p>ALL DIMENSIONS ARE GIVEN IN INCHES, UNLESS OTHERWISE SPECIFIED.</p> <p>DIMENSIONAL TOLERANCES ARE:</p> <p>(.X) ± (.XXX) ± .010(.3)</p> <p>(.XX) ± .02(.8) ANGLES ±</p>	PART NO.	CP48**Y
<p>DRAWN BY: JsP</p> <p>DATE: 5-2-06</p> <p>CHK'D: MJD</p>	<p>MATERIAL:</p> <p>20 GAGE STAINLESS STEEL</p>	DRAWING NO.	02479-062

REV	DATE	BY	CHK	DESCRIPTION	ECN	R	CUST	SUP	OTH
I	6-16-06	JsP	MJD	A. ADDED GROUNDING STUD CALLOUTS.	02479-062				
R	5-2-06	JsP	MJD	RELEASED TO PRODUCTION	02479-062				