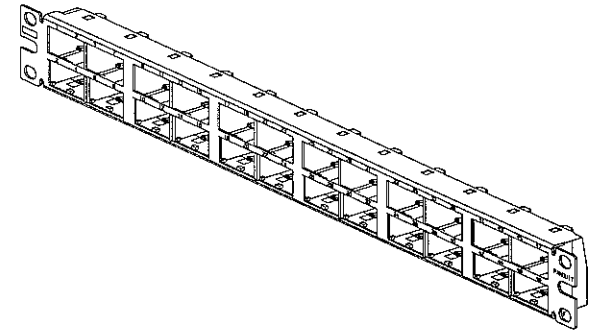
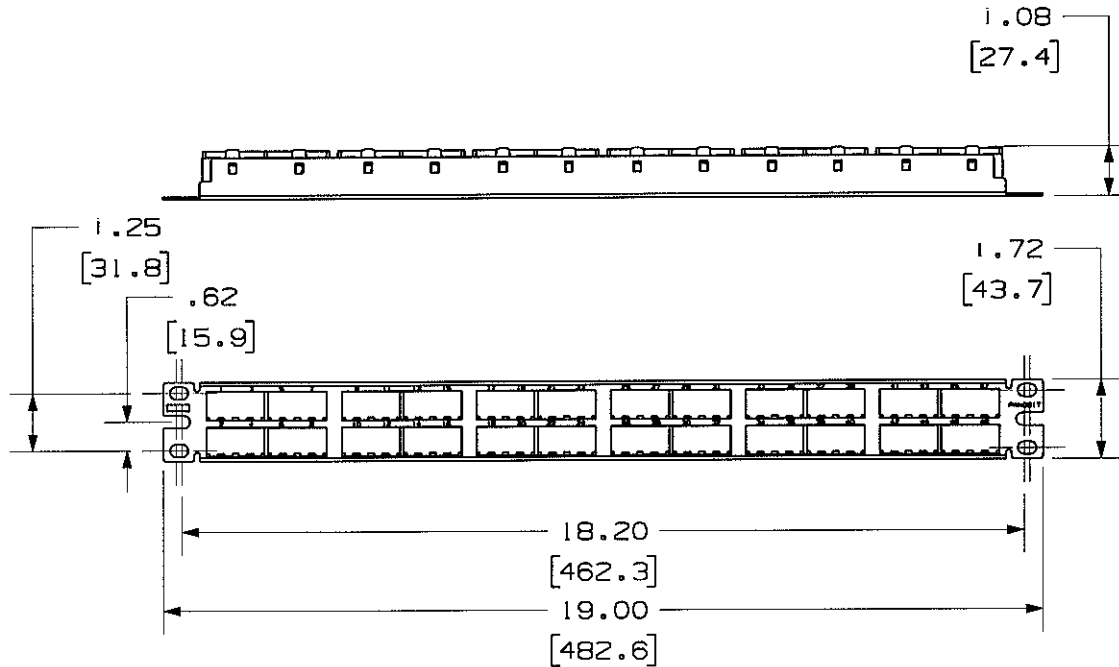


THIS COPY IS PROVIDED ON A RESTRICTED BASIS AND IS NOT TO BE USED IN ANY WAY DETRIMENTAL TO THE INTERESTS OF PANDUIT CORP.

PANDUIT P/N	WEIGHT
CPP48HDVNSWBL	6.15 LB/10 PCS (2788.0 g/10 PCS)

NOTES:

- SEE CURRENT CATALOG FOR VARIOUS APPLICATIONS WITH THIS WIRING SYSTEM.
- THE HIGH DENSITY PATCH PANEL IS DESIGNED FOR MOUNTING TO 19" UNIVERSAL RACKS.
- PACKAGE CONTENTS:
 - (1) -48 PORT STAMPING
 - (6) -8 POSITION FACEPLATE (ASSEMBLED TO PANEL)
 - (1) -SCREW KIT (INCLUDES FOUR #12-24 SCREWS)
 - (1) -SCREW KIT (INCLUDES FOUR M6 SCREWS)
- DIMENSIONS IN PARENTHESIS ARE IN METRIC.



MODEL FILENAME	M00741AT_CPP48HDVNSWBL_00.PRT	SIZE	A
DRAWING FILENAME	M00741AT_DC_00A.PRT		
MINI-COM 48 PORT HIGH DENSITY MODULAR PATCH PANEL WITH VERTICAL NUMBERING SEQUENCE CUSTOMER DRAWING			
	PANDUIT TM CORP. TINLEY PARK, ILL 60477	I.I. NUMBER	N/A
	THIRD ANGLE PROJECTION	PRODUCT SPEC	N/A
ALL DIMENSIONS ARE GIVEN IN INCHES, UNLESS OTHERWISE SPECIFIED.		WORK INSTRUCTION	N/A
DIMENSIONAL TOLERANCES ARE: (.X) ± (.XXX) ± (.010(.3)) (.XX) ± (.031(.8)) ANGLES ±		SCALE	NONE
DRAWN BY	JsP	PART NO.	CPP48HDVNSWBL
DATE	9-27-06	DRAWING NO.	00741-117
CHK'D	M/D	MATERIAL: PANEL - C.R.S. FACEPLATE - ABS	

REV	DATE	BY	CHK	DESCRIPTION	ECN	R	CUST	SUP	OTH
R	9-27-06	JsP	M/D	RELEASED TO PRODUCTION	00741-117				