

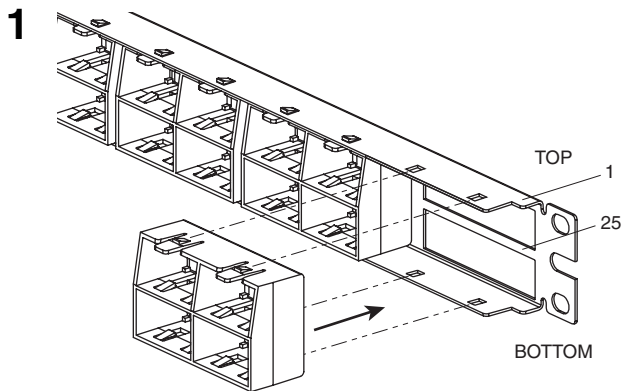


# MINI-COM 8 Port High Density Patch Panel Faceplate

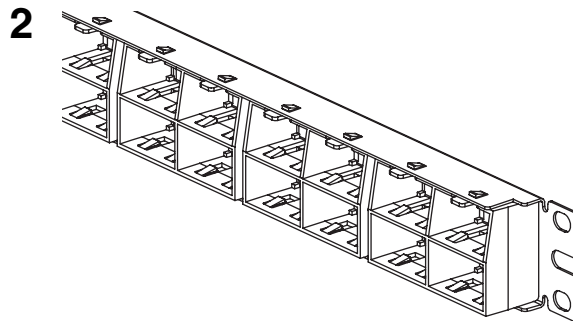
Part Number: CFP8HDBL

© Panduit Corp. 2006

## INSTALLATION INSTRUCTIONS PN369A



**CFP8HDBL**



Note: CFP8HDBL snaps into CPP48HDWBLY, CPPA48HDWBLY, CPP48HDEWBL, CPPA48HDEWBL, CPP48HDVNSWBL, and CPPA48HDVNSWBL Patch Panels.

For Instructions in Local Languages  
and Technical Support:

[www.panduit.com/resources/install\\_maintain.asp](http://www.panduit.com/resources/install_maintain.asp)



[www.panduit.com](http://www.panduit.com)