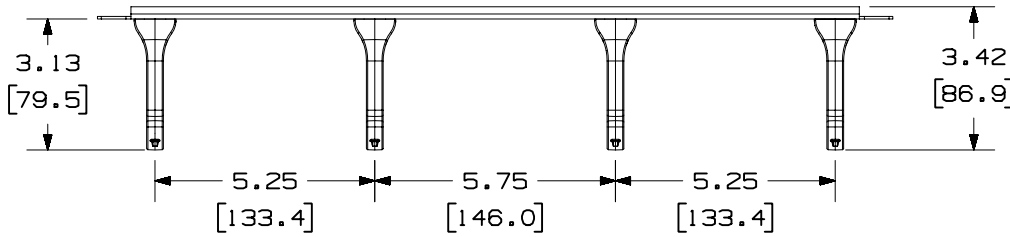


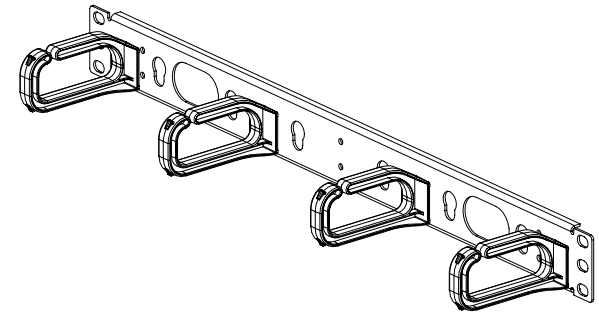
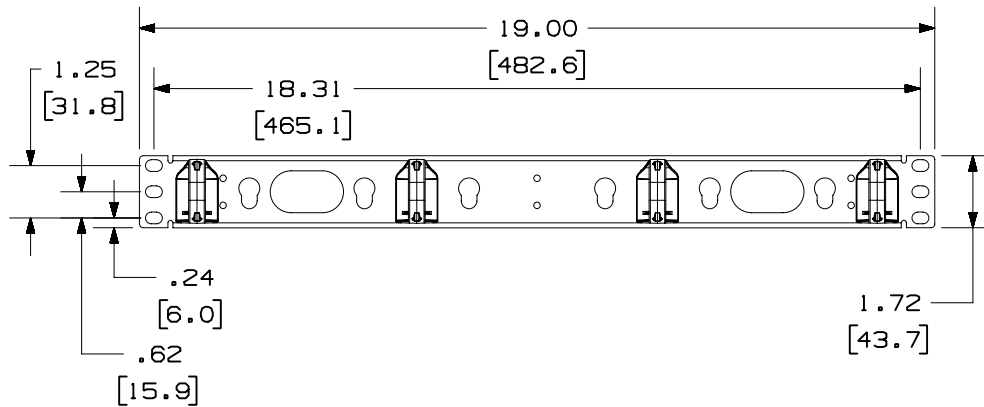
THIS COPY IS PROVIDED ON A RESTRICTED BASIS AND IS NOT TO BE USED IN ANY WAY DETRIMENTAL TO THE INTERESTS OF PANDUIT CORP.

PANDUIT P/N	WEIGHT
CMPHF1	.65 LB/EACH PC (293.4 g/EACH PC)



NOTES:

- SEE CURRENT CATALOG FOR ADDITIONAL PART NUMBER SUFFIXES TO INDICATE COLOR AND OR PACKAGE QUANTITY.
- SEE CATALOG FOR COMPLETE LIST OF PARTS APPLICABLE FOR USE WITH THIS PART.
- DIMENSIONS IN PARENTHESES ARE IN METRIC.
- MATERIAL: STAMPING- C.R.S.
D-RINGS- PC
- COMPONENTS:
4- D-RINGS
1- STAMPING
4- 12-24 SCREWS
4- M6 METRIC SCREWS



CAD FILENAME/LAYERS M00671AD_DC_00B.PRT

PANDUIT CORP. TINLEY PARK, ILLINOIS

OPEN CABLE MANAGEMENT PANEL
HORIZONTAL FRONT ONLY
(CMPHF1) CUSTOMER DRAWING

UNLESS OTHERWISE SPECIFIED,
DIMENSIONAL TOLERANCES ARE:
(.X) ± (.XXX) ± .010 (.3)
(.XX) ± .03 (.8) ANGLES ±

UNLESS OTHERWISE SPECIFIED,
ALL DIMENSIONS ARE GIVEN
IN INCHES, THIRD ANGLE PROJECTION.

REV	DATE	BY	CHK	DESCRIPTION	ECN	CHK	CUST	SUP
I	5-1-02	JDWE		A. ADDED NOTE 5.	00671-05			
R	11-1-99	JsP	CEF	RELEASED TO PRODUCTION.	00671-05	CEF	CEF	

DRAWN BY JsP	MAT'L:	SCALE NONE
DATE 11-1-99		DRAWING NO. 00671-05
CHECKED BY CEF		DWG A SIZE