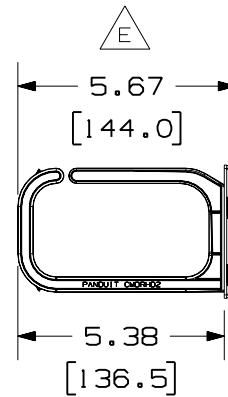
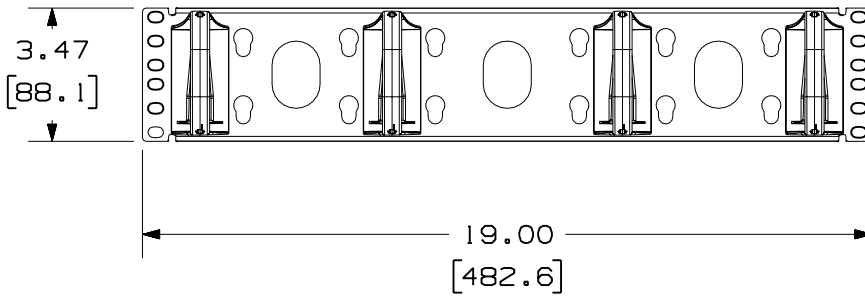
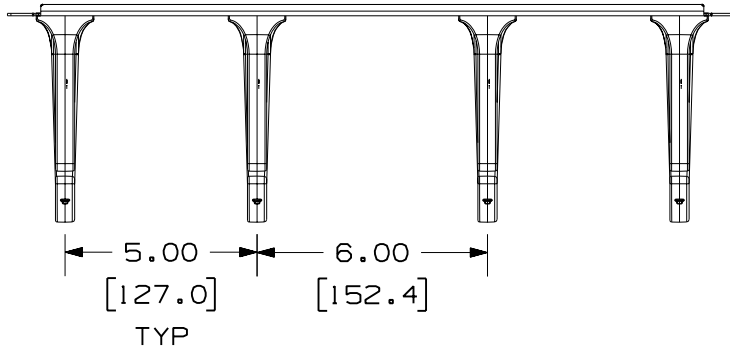


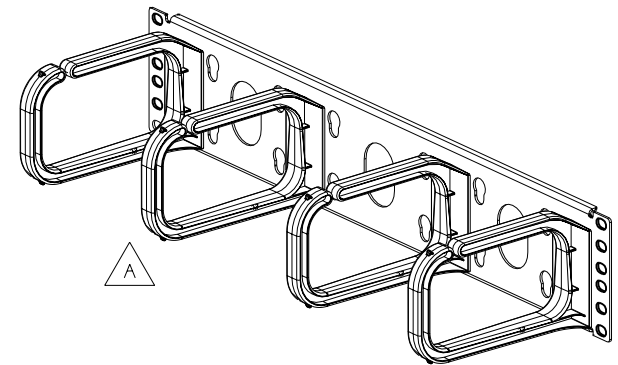
THIS COPY IS PROVIDED ON A RESTRICTED BASIS AND IS NOT TO BE USED IN ANY WAY DETRIMENTAL TO THE INTERESTS OF PANDUIT CORP.

| PANDUIT P/N | WEIGHT |
|-------------|-------------------------------------|
| CMPHH2 | 15.54 LB/10 PCS (7051.0g/10 PCS) |



NOTES:

- SEE CATALOG FOR COMPLETE LIST OF PARTS APPLICABLE FOR USE WITH THIS PART.
- DIMENSIONS IN PARENTHESES ARE IN METRIC.
- PARTS INCLUDED:
 - 4- D-RINGS
 - 1- STAMPING
 - 4- 12-24 SCREWS
 - 4- M6 METRIC SCREWS



| | |
|---------------------|-------------------------|
| MODEL FILENAME | M00072AD_RCMPHH2_01.PRT |
| CAD FILENAME/LAYERS | M00072AD_DC_01C.PRT |

PANDUIT CORP. TINLEY PARK, ILLINOIS

OPEN CABLE MANAGEMENT PANEL
HORIZONTAL HIGH DENSITY (CMPHH2)
CUSTOMER DRAWING

| REV | DATE | BY | CHK | DESCRIPTION | ECN | CHK | CUST | SUP |
|-----|----------|------|------|---|----------|------|------|-----|
| 3 | 2-19-07 | MLVO | | E. ADDED DEPTH DIMENSION. | 00072-17 | | | |
| 2 | 4-30-02 | JDWE | KRKE | D. REMOVED NOTE 1. C. ADDED METRIC SCREWS | 00072-17 | RTSU | RTSU | |
| 1 | 10-11-99 | KLGO | RLFR | B. ADDED PARTS INCLUDED A. UPDATED TO REFLECT NEW DESIGN | 00072-17 | CEF | CEF | |
| R | 7-16-98 | JSP | FJD | RELEASED TO PRODUCTION. | 00072-17 | FJD | FJD | |

UNLESS OTHERWISE SPECIFIED,
DIMENSIONAL TOLERANCES ARE:
(.X) ± (.XXX) ±.010(.3)
(.XX) ±.03(.8) ANGLES ±

UNLESS OTHERWISE SPECIFIED,
ALL DIMENSIONS ARE GIVEN
IN INCHES, THIRD ANGLE PROJECTION.

| | | |
|-------------------|--|-------------------------|
| DRAWN BY JSP | MAT'L: STAMPING- BLACK POWDER COATED STEEL | SCALE NONE |
| DATE 7-16-98 | RINGS- BLACK PC | DRAWING NO. 00072-17 |
| CHECKED BY FJD | | DWG A SIZE |