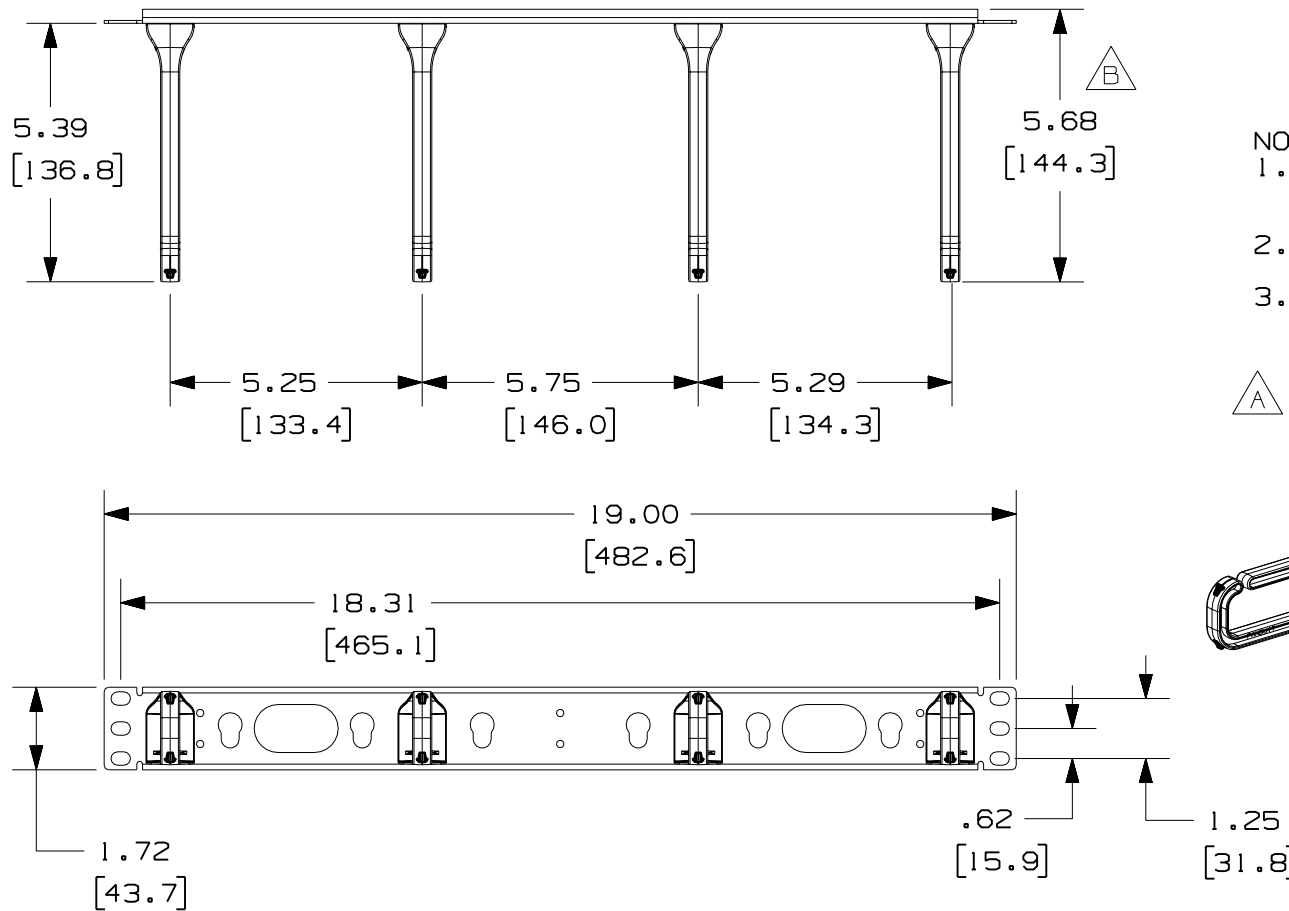
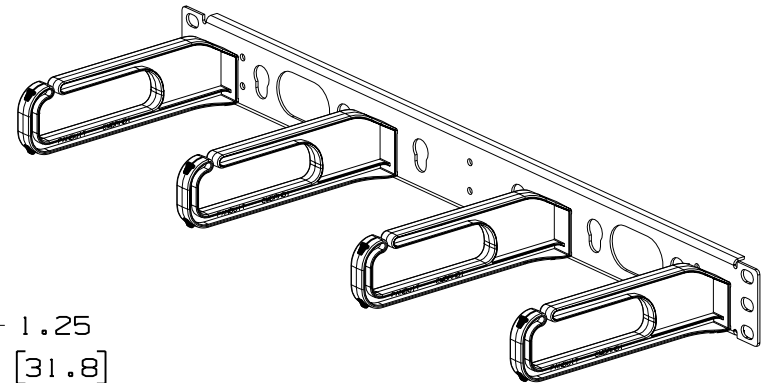


THIS COPY IS PROVIDED ON A RESTRICTED BASIS AND IS NOT TO BE USED IN ANY WAY DETRIMENTAL TO THE INTERESTS OF PANDUIT CORP.



PANDUIT P/N	WEIGHT
CMPHHF1	7.03 LB/10 PCS (3187.4 g/10 PCS)

- NOTES:
- SEE CATALOG FOR COMPLETE LIST OF PARTS APPLICABLE FOR USE WITH THIS PART.
 - DIMENSIONS IN PARENTHESES ARE IN METRIC.
 - PARTS INCLUDED:
 - 4 - D-RINGS
 - 1 - STAMPING
 - 4 - 12-24 SCREWS
 - 4 - M6 METRIC SCREWS
- Callout A: Points to the bottom edge of the panel.



CAD FILENAME/LAYERS M00671AF_DC_00D.PRT

PANDUIT CORP. TINLEY PARK, ILLINOIS

OPEN CABLE MANAGEMENT PANEL
HORIZONTAL HIGH DENSITY (CMPHHF1)
CUSTOMER DRAWING

REV	DATE	BY	CHK	DESCRIPTION	ECN	CHK	CUST	SUP
3	2-19-07	MLVO		B. ADDED DIMENSION.	00671-14			
2	5-1-02	JDWE	KRKE	A. ADDED METRIC SCREWS.	00671-14	RTSU	RTSU	
1	12/27/99	SJA	DABE	00671-14 WAS 00671-10	00671-14	DABE	DABE	
R	12-17-99	SJA	DABE	RELEASED TO PRODUCTION.	00671-10	DABE	DABE	

UNLESS OTHERWISE SPECIFIED, DIMENSIONAL TOLERANCES ARE: (.X) ± (.XXX) ±.010(.3) (.XX) ±.03(.8) ANGLES ±		UNLESS OTHERWISE SPECIFIED, ALL DIMENSIONS ARE GIVEN IN INCHES, THIRD ANGLE PROJECTION.	
DRAWN BY SJA	MAT'L: STAMPING- BLACK POWDER COATED C.R.S.	SCALE NONE	
DATE 12-17-99	D-RINGS- BLACK PC	DRAWING NO. 00671-14	DWG A
CHECKED BY DABE			SIZE