



OPEN-ACCESS™ COMPONENTS

For Mounting to EIA Standard 19" and 23" Communication Rack or Network Cabinet

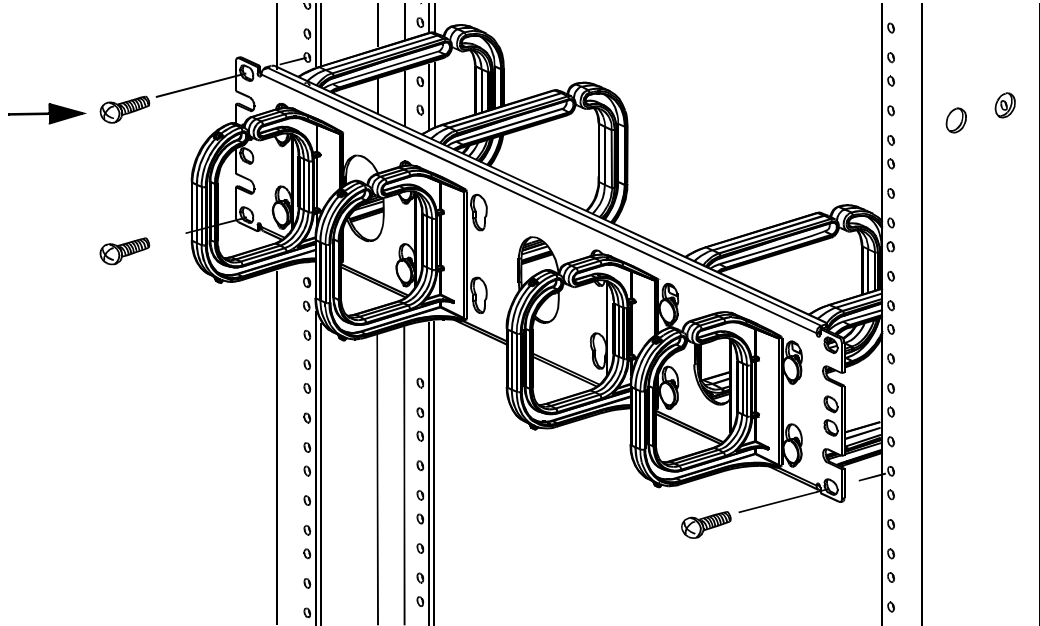
CM108 INSTALLATION INSTRUCTIONS

© Panduit Corp. 2001

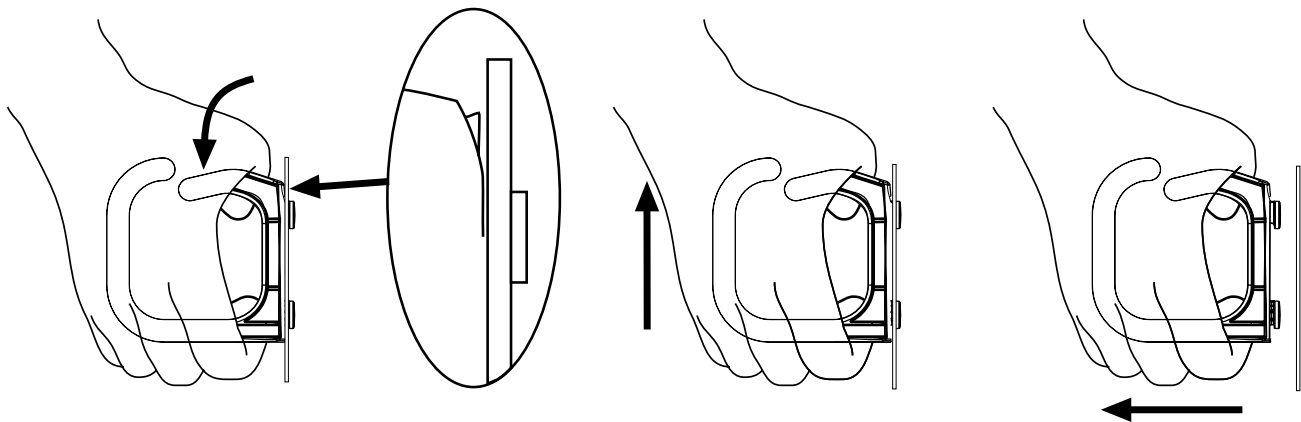
Printed in U.S.A.

Typical panel mounting procedure

FOUR (4) #12-24 x 1/2" SCREWS INCLUDED IN EACH KIT



D-ring removal procedure



Horizontal Cable Management Panels

PART NUMBER	DESCRIPTION	CABLE CAPACITY* UTP (.187")
CMPH1 CMPH123	Manages patch cables and distribution cables. Includes 1.5"x3" D-ring CMDRH1 on the front and 1.5"x5" D-ring CMDRHD1 on the back.	40 Front 40 Back
CMPH2 CMPH223	Manages patch cables and distribution cables. Includes 3"x3" D-ring CMDRH2 on the front and 3"x5" D-ring CMDRHD2 on the back.	96 Front 96 Back
CMPHF1 CMPHF123	Manages patch cables. Includes 1.5"x5" D-ring CMDRH1 on the front.	40
CMPHF2 CMPHF223	Manages patch cables. Includes 3"x3" D-ring CMDRH2 on the front.	96
CMPHD1	Manages patch cables and distribution cables. Includes 1.5"x5" D-ring CMDRH1 on the front and 1"x4" wiring duct on the back.	40 Front 36 Back
CMPHD2	Manages patch cables and distribution cables. Includes 3"x3" wiring duct on the front and 3"x5" CMDRHD2 on the back.	72 Front 96 Back
CMPHDR2	Manages patch cables and distribution cables. Includes 3"x3" D-ring CMDRH2 on the front and 2"x5" wiring duct on the back.	96 Front 72 Back
CMPHHF1	Manages high density patch cables. Includes 1.5"x5" CMDRHD1 on front.	52
CMPH1W CMPH123W	Manages patch cables and distribution cables. Includes 1.5x3" D-ring CMDRH1 on the front, 1.5x5" D-ring CMDRHD1 on the back, and a cover.	40 Front 40 Back
CMPH2W CMPH223W	Manages patch cables and distribution cables. Includes 3"x3" D-ring CMDRH2 on the front and 3"x3" D-ring on the back, Bend Radius Clip CMSRC2, and a cover.	96 Front 96 Back
CMDRH1	Horizontal D-ring. 1.5"x3" (3.81cm x 7.62cm)	40
CMDRH2	Horizontal D-ring. 3"x3" (7.62cm x 7.62cm)	96
CMDRHD1	Horizontal D-ring. 1.5"x5" (3.81cm x 7.62cm)	52
CMDRHD2	Horizontal D-ring. 3"x5" (7.62cm x 12.7cm)	192
CMPH1C	One rack unit 19" replacement cover	N/A
CMPH2C	Two rack unit 19" replacement cover	N/A
CMPH123C	One rack unit 23" replacement cover	N/A
CMPH223C	Two rack unit 23" replacement cover	N/A

Vertical Cable Management

CMVDR1	1" Wide vertical cable management bracket	96
CMVDR2	2" Wide vertical cable management bracket	192
CMVDRC	Center mounted D-ring	432

*Duct capacity is based on a 40% fill.