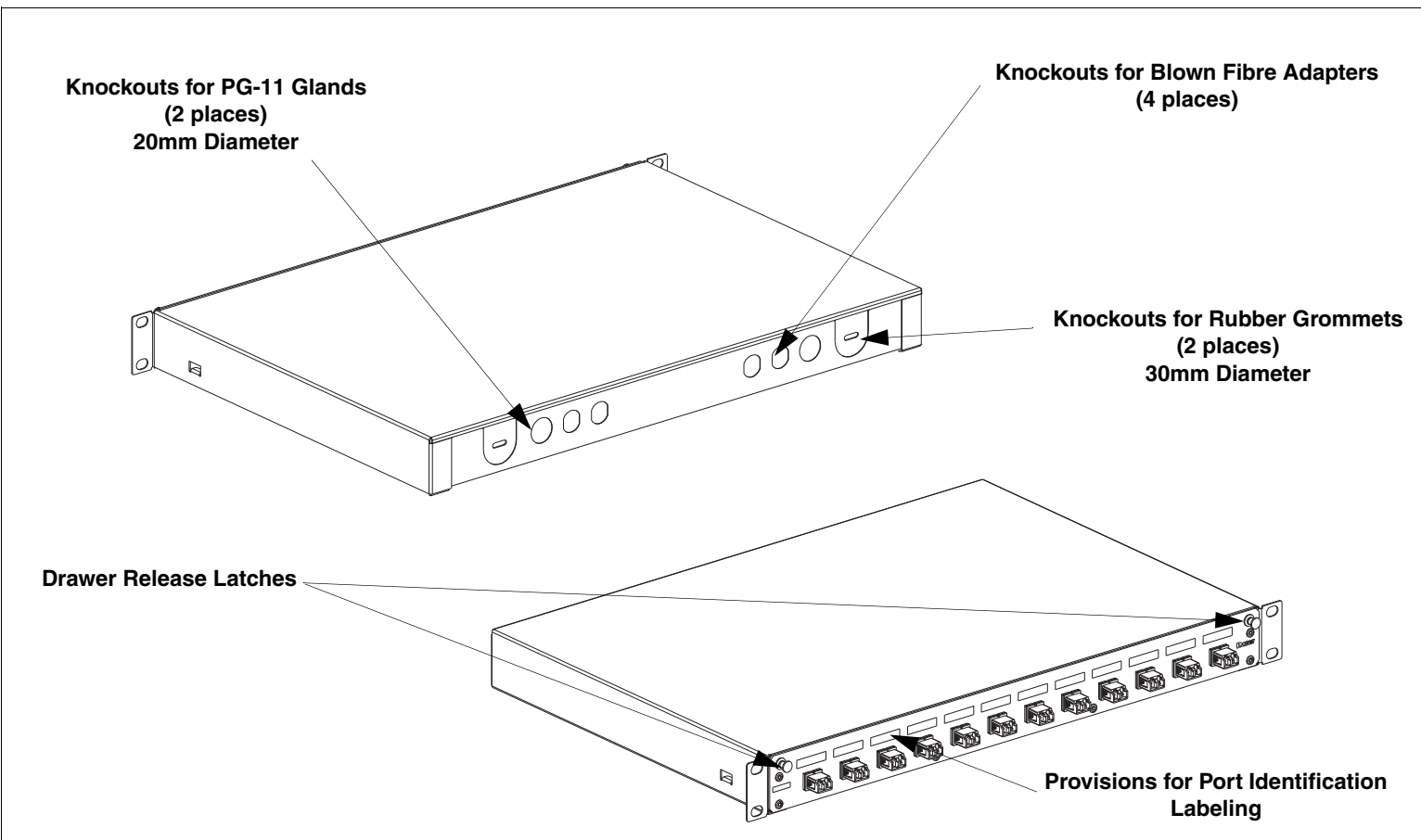


Accessory Kit

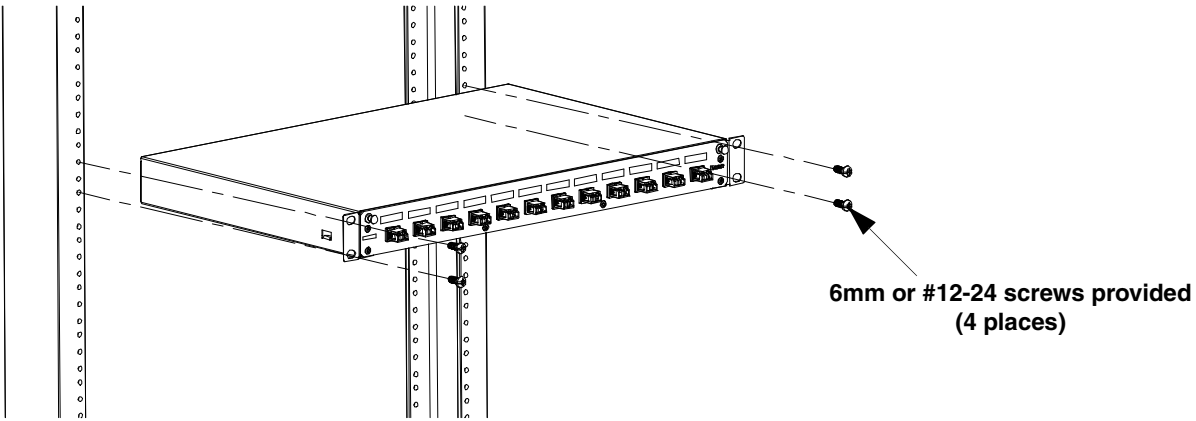
(4) #12-24X.5 Screws, (4) M6 Screws, (1) Fibre Caution Label, (1) Laser Warning Label, (2) Slack Spools and (1) PG-11 gland.

** Substitute for adapter color/fibre type: EI (Electric Ivory/OM1 62.5/125µm), BL (Black/OM2 50/125µm), AQ (Aqua/OM3 10GiG™ 50/125µm), or BU and add Z to end (Blue/OS1/OS2 9/125µm). E2000 Drawer only available in single-mode OS1/OS2 fibre.

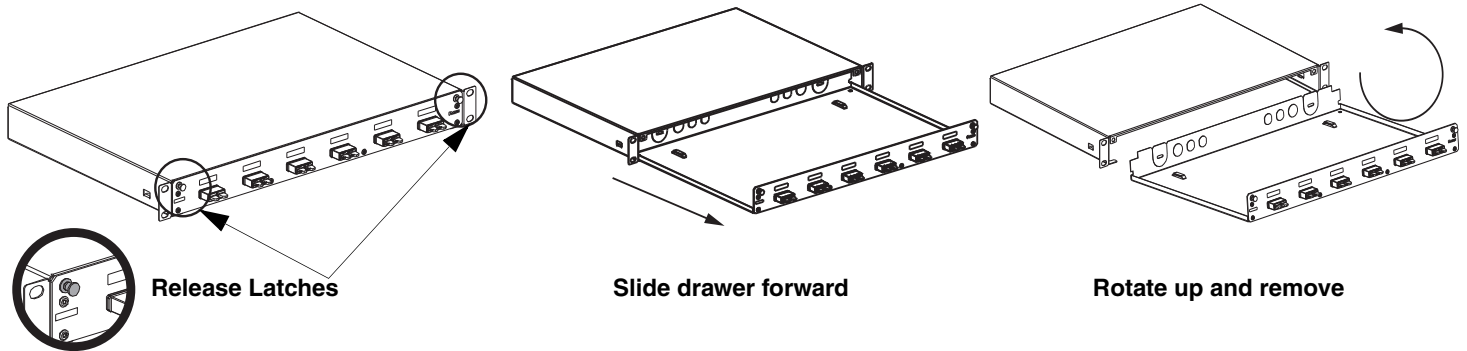


Mounting

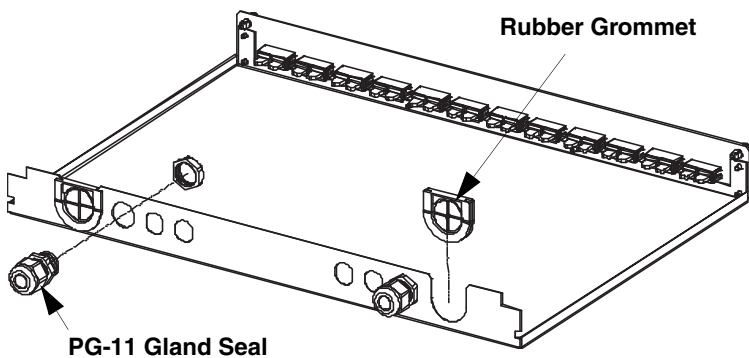
Mount the enclosure to rack using four (4) 6mm or #12-24 screws provided



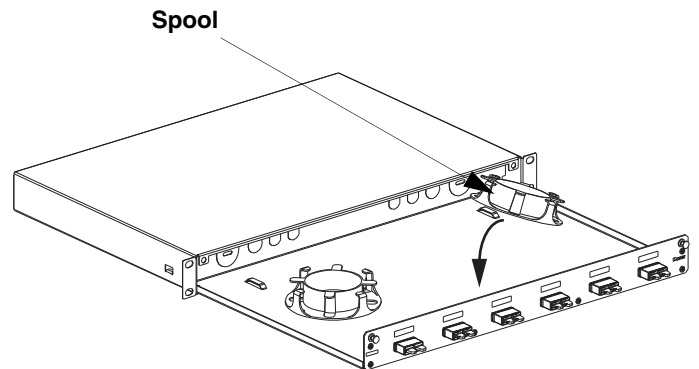
Drawer Opening and Removal



Grommet, Gland, and Spool Installation



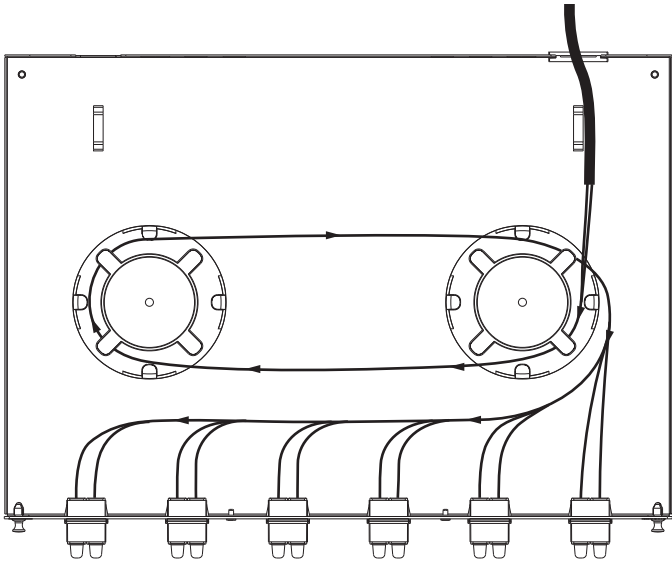
Remove Knockouts and insert Grommets and/or Glands as shown above.



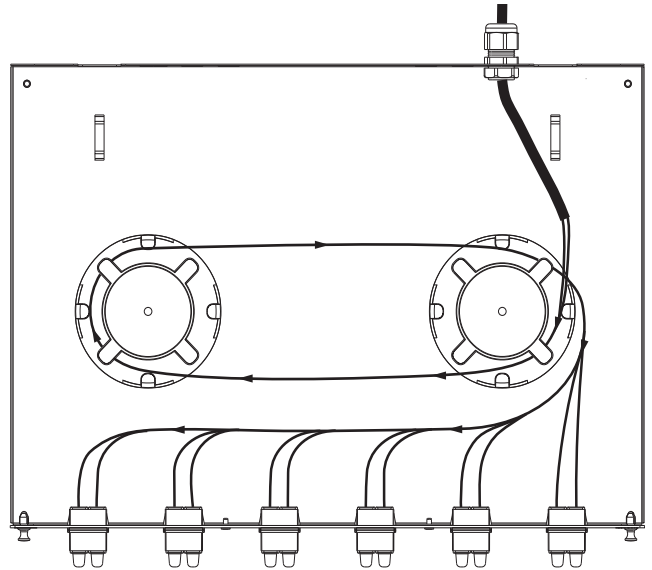
Remove the liner from the tape underneath each fibre management spool. Place the fibre management spools inside the enclosure as shown above.
Note: Do not install spools if splicing with Fiber Optic Splice Module (FOSM).

Typical Cable Routing Options

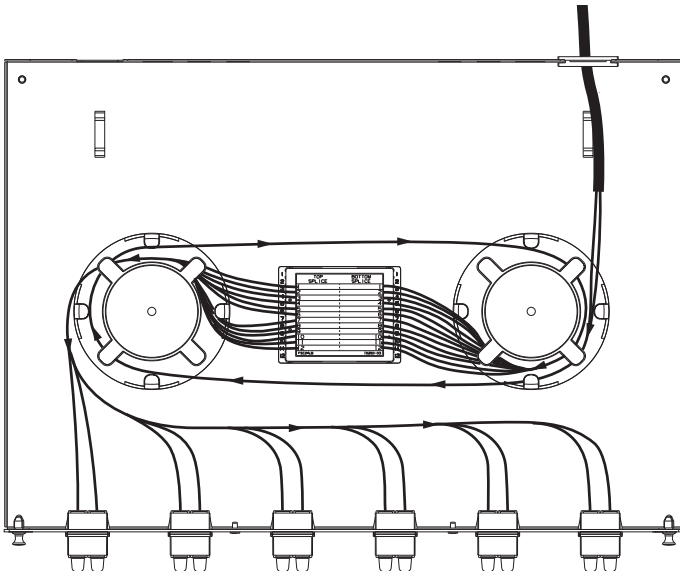
Grommet with Pre-Terminated Trunk or Field Termination



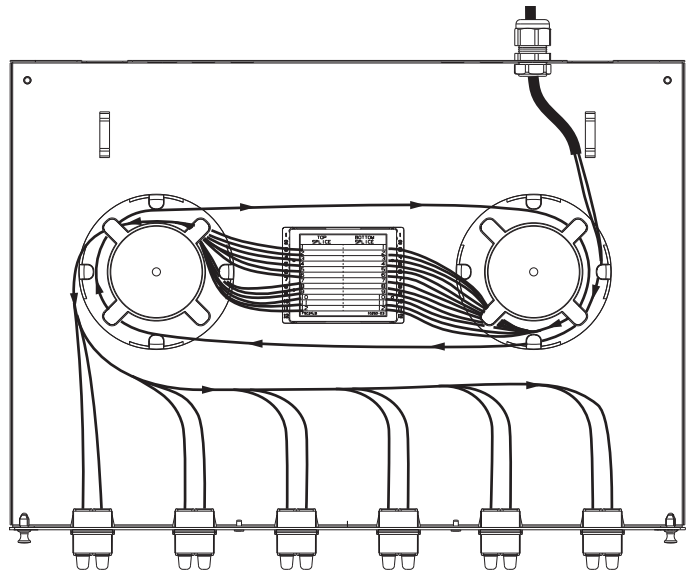
P11 Gland with Pre-Terminated Trunk or Field Termination



Grommet with splicing using the FSC24 Splice Sleeve Holder



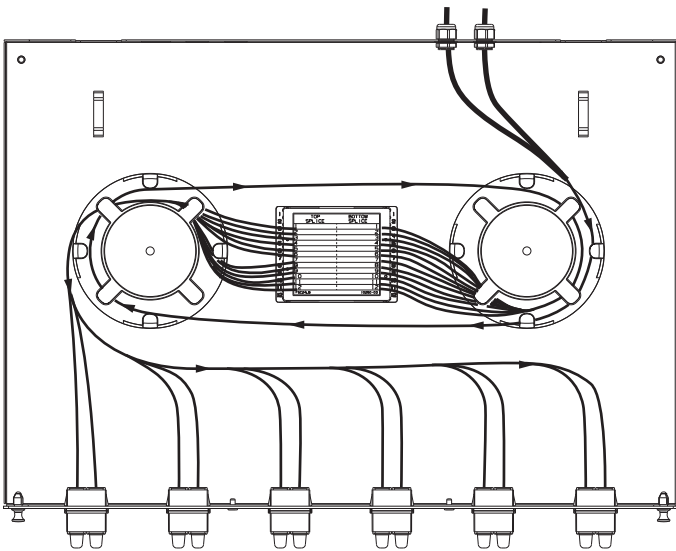
P11 Gland with splicing using the FSC24 Splice Sleeve Holder



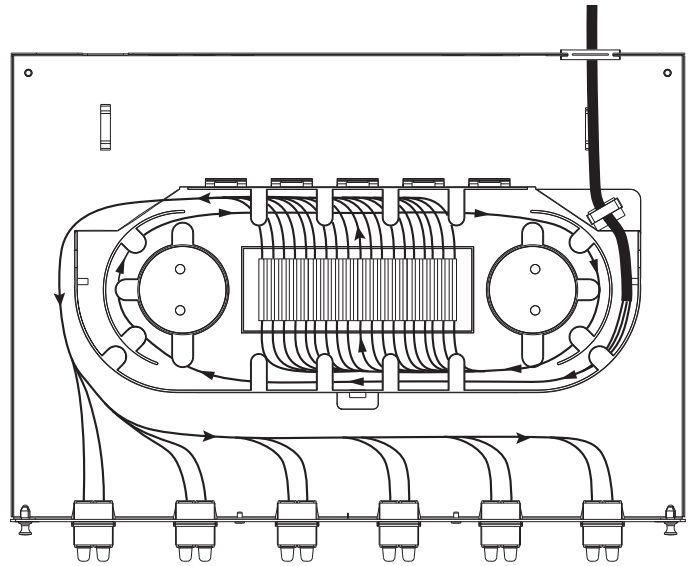
Typical Cable Routing Options (continued)

FOSM installation: Place double stick tape underneath FOSM and locate the FOSM in the enclosure as shown.

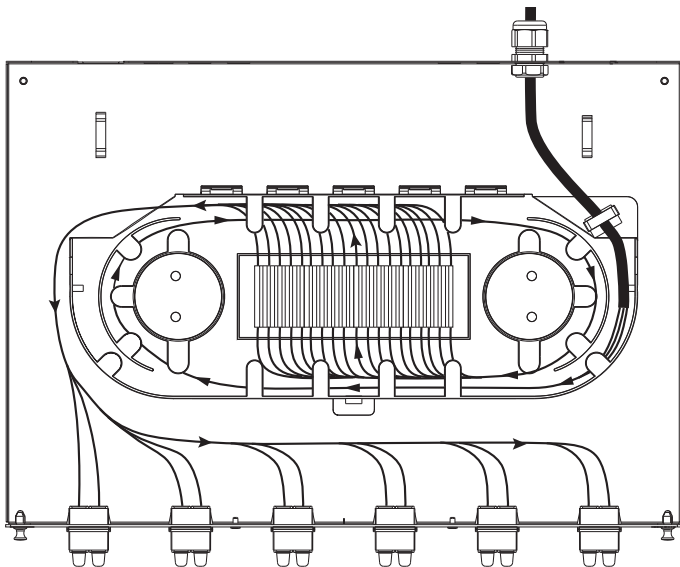
Blown Fibre with splicing using the FSC24 Splice Holder



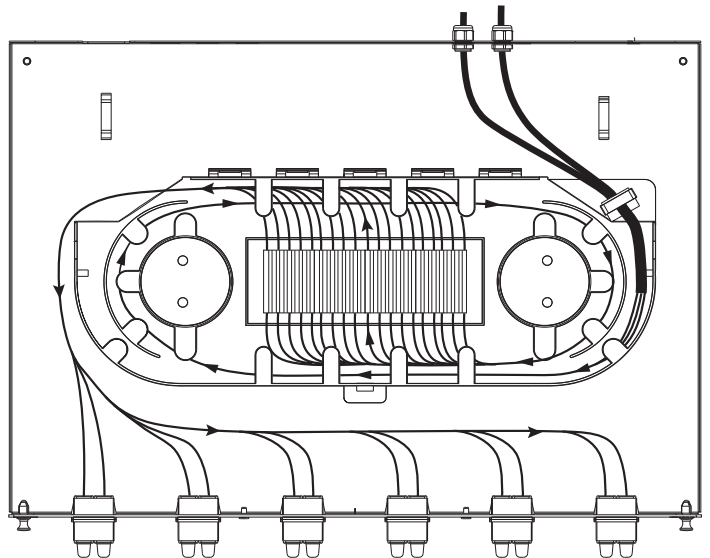
Grommet with splicing using the Fibre Optic Splice Module (FOSM)



P11 Gland with splicing using the Fibre Optic Splice Module (FOSM)



Blown Fibre with fusion splicing using the Fibre Optic Splice Module (FOSM)



For instructions in Local Languages
and Technical Support:

www.panduit.com/resources/install_maintain.asp



www.panduit.com

E-mail:
cs@panduit.com
Fax:
(708)444-6448