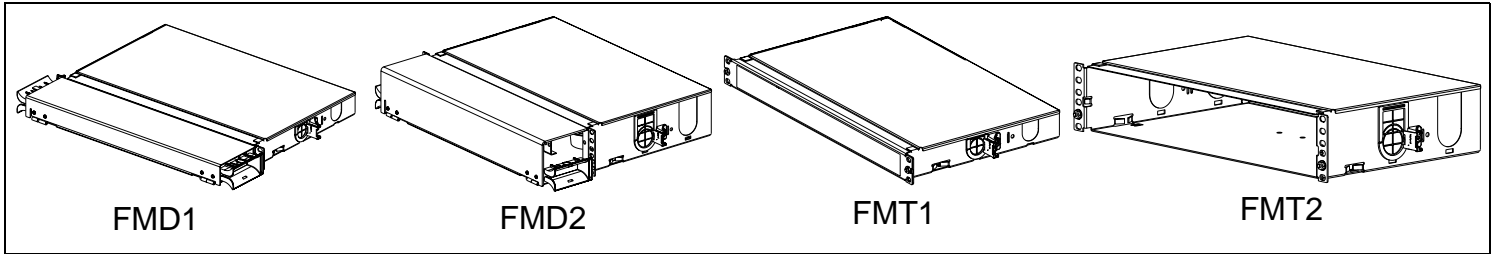


## CM267 INSTALLATION INSTRUCTIONS

© Panduit Corp. 2001

Printed in U.S.A.



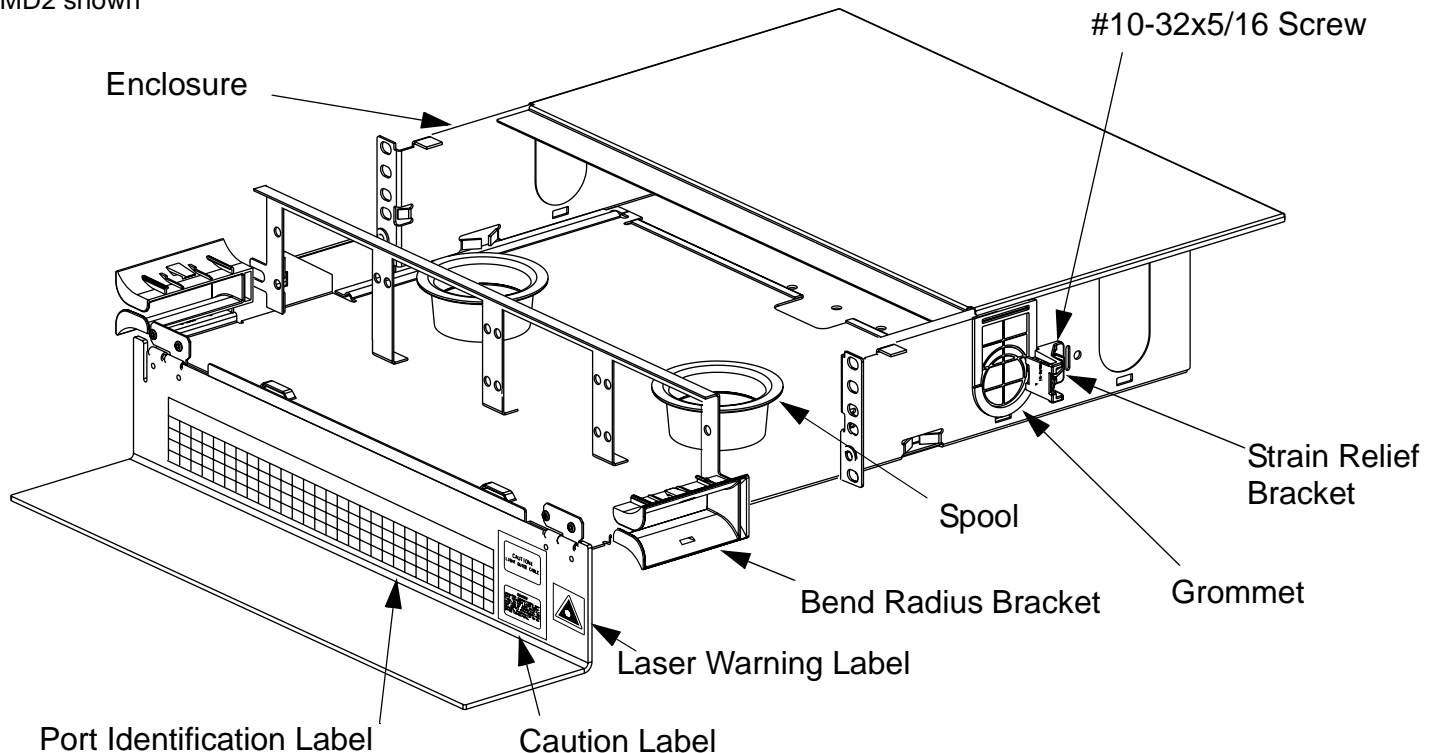
Contents		
1 ENCLOSURE	4 #12-24 x 1/2" SCREWS	1 CAUTION LABEL
3 #10 FLAT WASHERS	1 #10-32 x 5/16" SCREW	1 LASER WARNING LABEL
10 PAN-TY CABLE TIES	4 #10-32 HEX NUTS	2 SPOOLS
2 ADHESIVE MOUNTS	1 STRAIN RELIEF BRACKET	24" SPIRAL WRAP
2 BEND RADIUS BRACKETS (FOR PART NUMBERS FMD1 AND FMD2 ONLY)	1 PORT IDENTIFICATION LABEL (FOR PART NUMBERS FMD1 AND FMD2 ONLY)	24" SPIRAL WRAP (FOR PART NUMBERS FMD1 AND FMD2 ONLY)

### Cautions

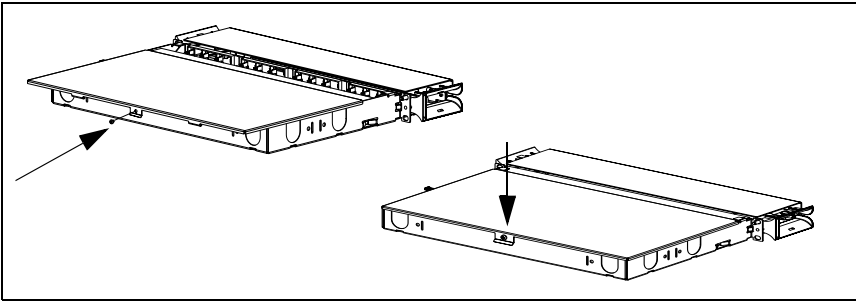
1. Fiber optic cable is sensitive to excessive pulling, bending and crushing forces. Consult the manufacturer's cable specification sheet for the specific cable in use.
2. Follow TIA/EIA 568-A, 569, 606, and 607 installation guidelines where applicable.
3. DANGER: UNMATED CONNECTORS MAY EMIT INVISIBLE LASER RADIATION. DO NOT LOOK DIRECTLY INTO THE END OF THE CONNECTOR, DO NOT INSPECT WITH MAGNIFYING DEVICES. MAINTAIN CAP ON UNMATED CONNECTORS.

### ASSEMBLY

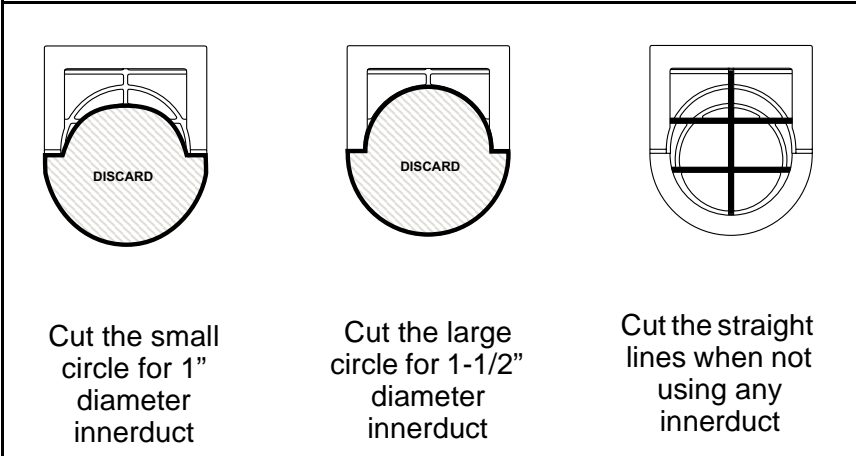
FMD2 shown



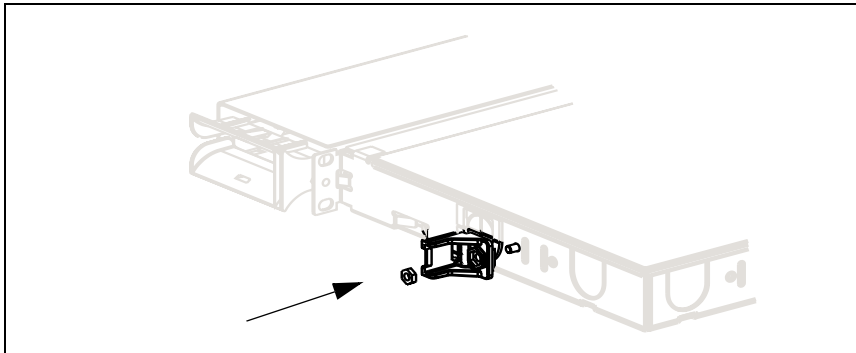
FOR TECHNICAL SUPPORT CALL: 866-405-6654



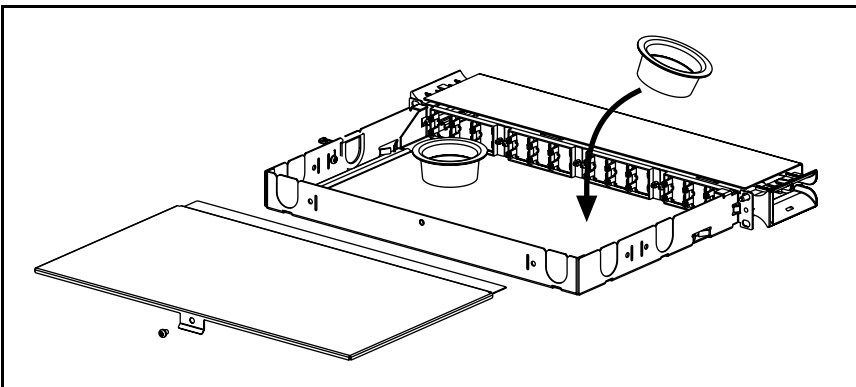
1. To engage the cover, slide forward until the cover slides under the front tabs then secure in place with #10-32 screw.



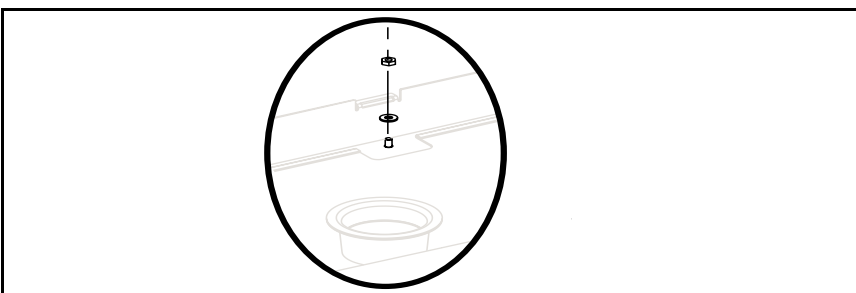
2. Determine which grommet(s) will be used to bring the cable into the enclosure. Remove the knock-out at entry location of the fiber tray. Install grommet following the proper cutting diagram.



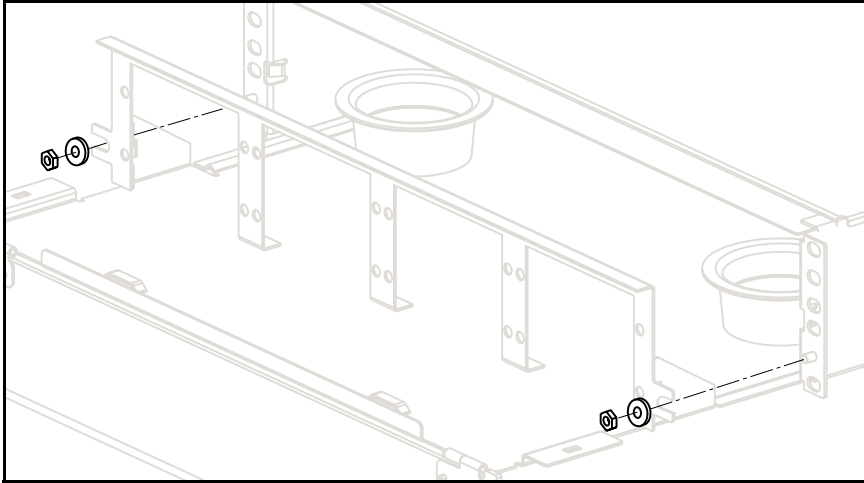
3. Place the strain relief bracket near area where the cable will enter the enclosure. Fasten with #10-32 hex.



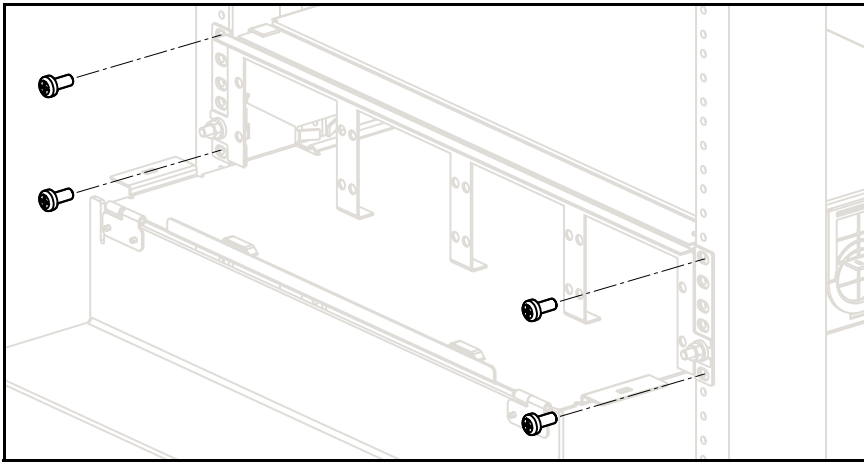
4. Determine where the spools will be located. Remove the liner from the tape on each spool and place them inside the enclosure.



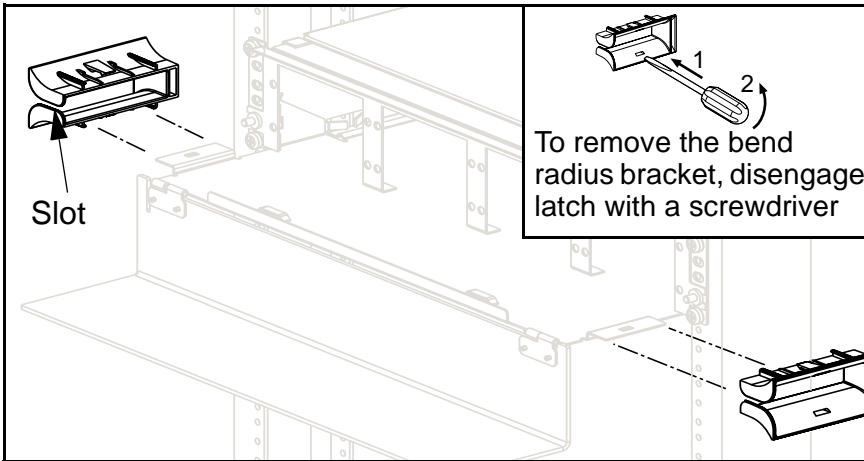
5. Install the hex nut and washer. This will be used to secure the strength member that comes out of the cable.



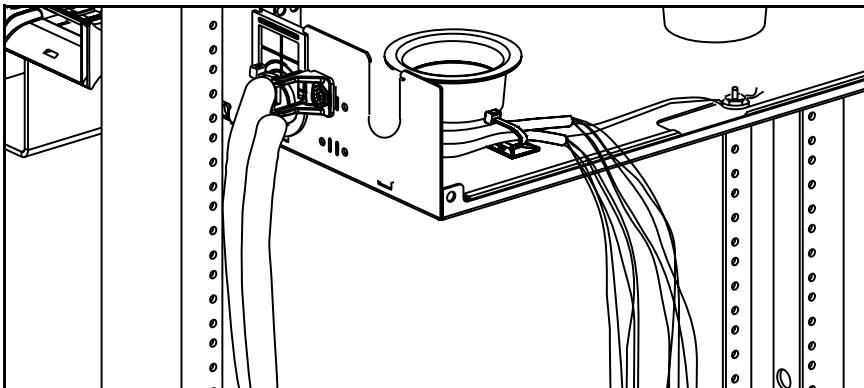
1. Secure the sliding tray with #10 washers and #10-32 hex nuts provided.



2. Mount the enclosure to the rack using (4) #12-24 screws.

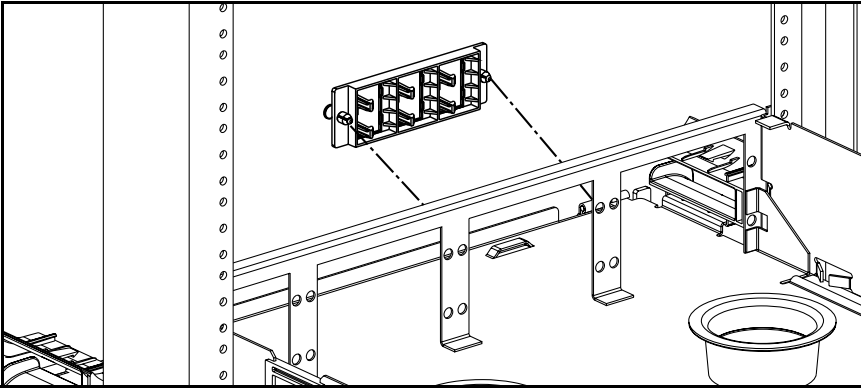


3. To install the bend radius brackets, slide the bracket onto tab with the slot facing outside then snap in place. (FMD SERIES ONLY)

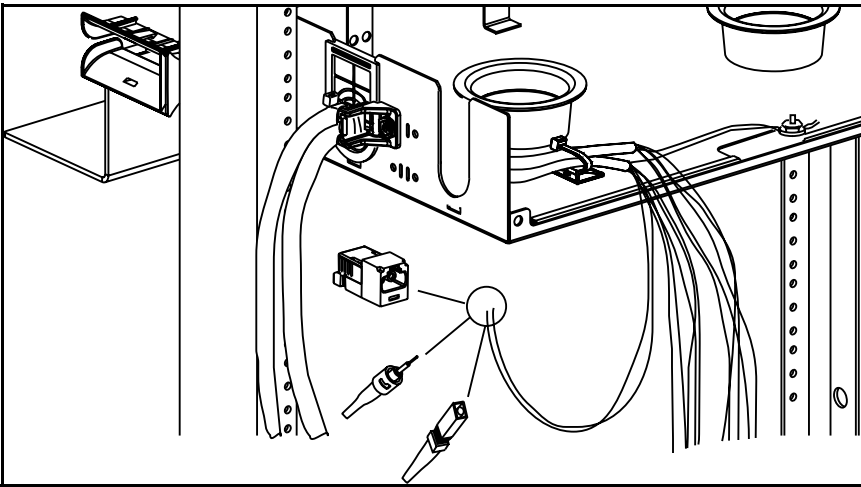


4. Insert cable through the grommet. Secure the cable to the strain relief bracket using a cable tie. Strip 1 meter of jacket from the end of the cable. Attach the strength member of the cable to the #10-32 stud and #10-32 hex nut. Use the adhesive mount and cable tie to secure the cable between the #10-32 stud and the grommet.

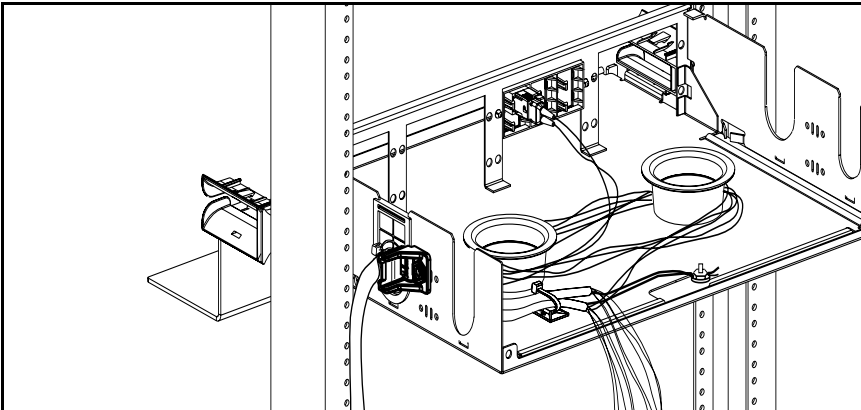
## CM267 INSTALLATION INSTRUCTIONS



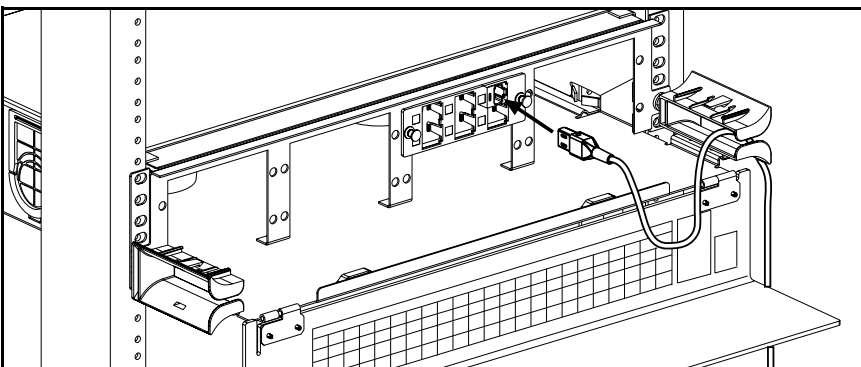
1. Insert the panels into the enclosure as shown. Once mounted, push the latches in to secure the panel.



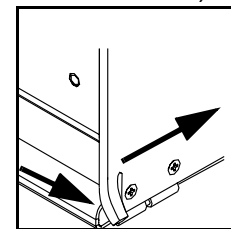
2. Terminate the fibers with an appropriate connector. Mount each connector in the panel.



3. Gently loop the excess fiber around the spools. Replace the cover after all fibers are looped around the spools.



4. Install the patchcords as needed.
5. To remove the front door:  
(FMD SERIES ONLY)



- 6.) Attach Laser Warning Label and Caution Label where they are clearly visible.

WORLDWIDE SUBSIDIARIES AND SALES OFFICES



NETWORK CONNECTIVITY GROUP

412 Rockwell Court  
Burr Ridge, Illinois 60521

Technical Support: 866-405-6654  
Fax: 708-444-6993

E-mail: [netconnsupport@panduit.com](mailto:netconnsupport@panduit.com)  
Web site: [www.panduit.com/ncg](http://www.panduit.com/ncg)