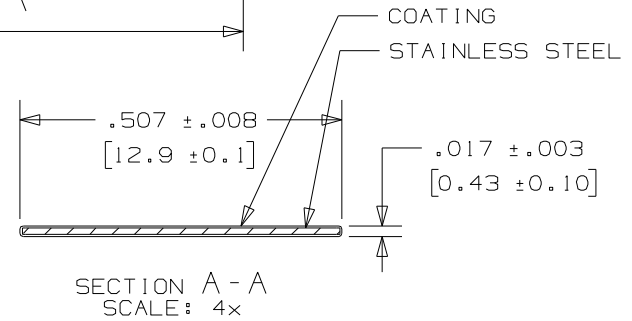
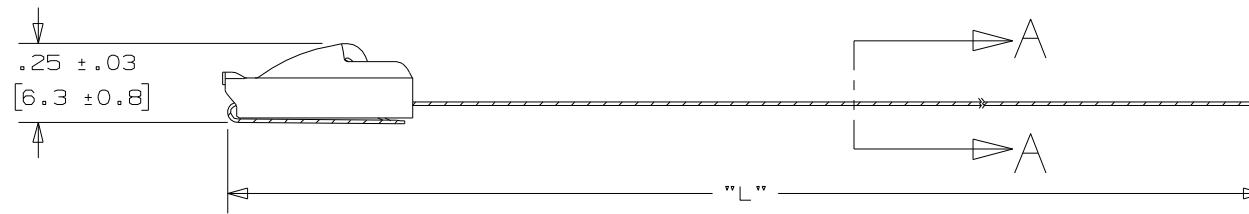
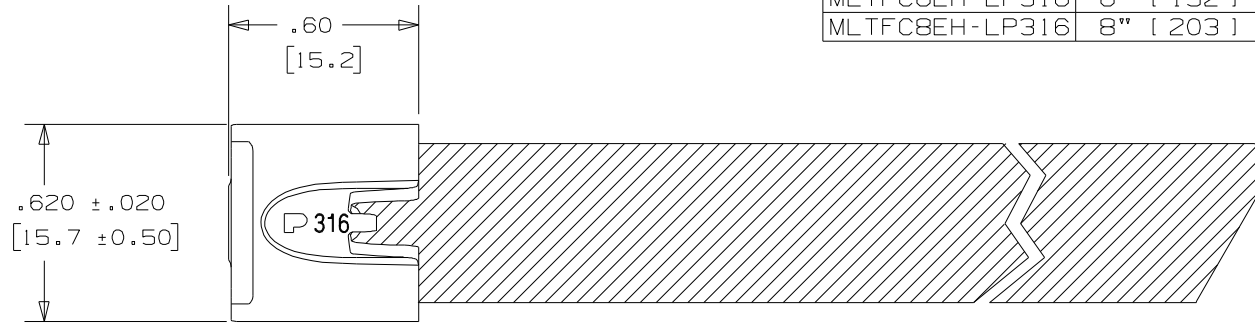


THIS COPY IS PROVIDED ON A RESTRICTED BASIS AND IS NOT TO BE USED IN ANY WAY DETRIMENTAL TO THE INTERESTS OF PANDUIT CORP.

PANDUIT PART NO.	MAX. BUNDLE DIA.	PACKAGE QTY.	LENGTH "L" +/- .3" [ 7 ]
MLTFC2EH-LP316	2" [ 51 ]	50	11.8" [ 300 ]
MLTFC4EH-LP316	4" [ 102 ]	50	17.1" [ 434 ]
MLTFC6EH-LP316	6" [ 152 ]	50	23.4" [ 594 ]
MLTFC8EH-LP316	8" [ 203 ]	50	29.7" [ 754 ]



NOTES:

- APPLICATION TOOLS - ST3MT & RTIHT
- MINIMUM LOOP TENSILE STRENGTH - 300 LBS. (1335 NEWTONS) WHEN TESTED ON A 3" MANDREL.
- [ ] DENOTES DIMENSION IN MILLIMETERS
- TOLERANCES:
  - .XXX = ±.010 [ .25 ]
  - .XX = ±.02 [ .5 ]
  - .X = ±.03 [ .8 ]
  - ANGLES = ±2°
- BASE MATERIAL: 316 STAINLESS STEEL
- COATING - POLYESTER  
COATING THICKNESS: .002 MIN./ .005 MAX. PER SIDE

S41216\_01

					<b>PANDUIT</b> CORP. TINLEY PARK, ILLINOIS				
01	4/07	JMMREJD	ADDED NOTE 6	SS00350	METAL LOCKING TIE EXTRA HEAVY DUTY FULLY COATED 316 STAINLESS STEEL				
00	9/05	JAMBEJD	RELEASED	SS00052					
REV	DATE	BY	CHK	DESCRIPTION	ECN #	DRAWN BY JAMB	CHK'D EJD	SCALE 2x	DRAWING NO. S41216