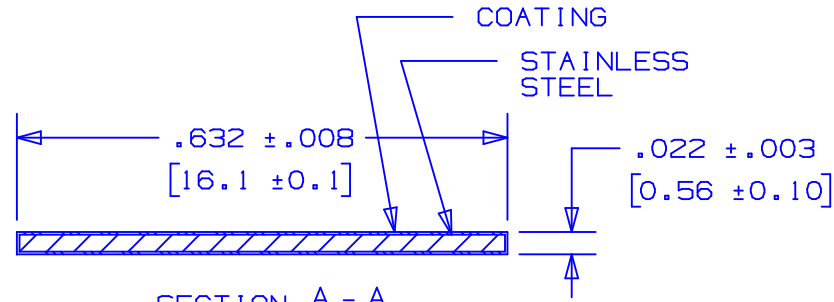
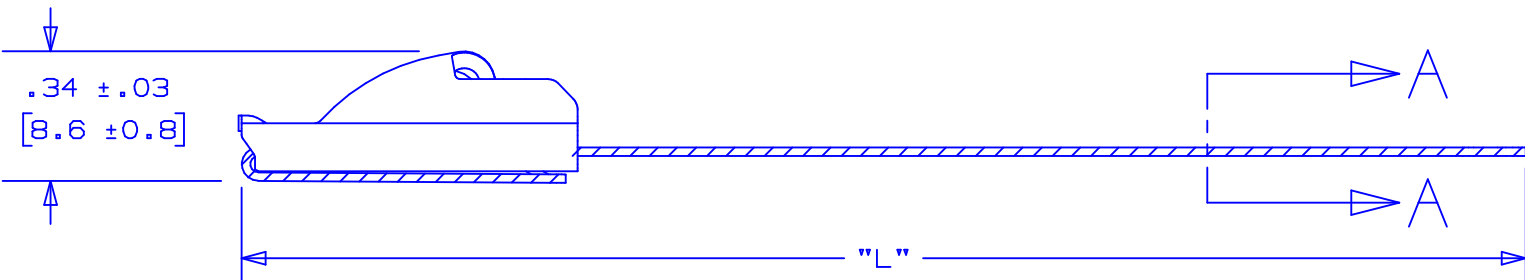
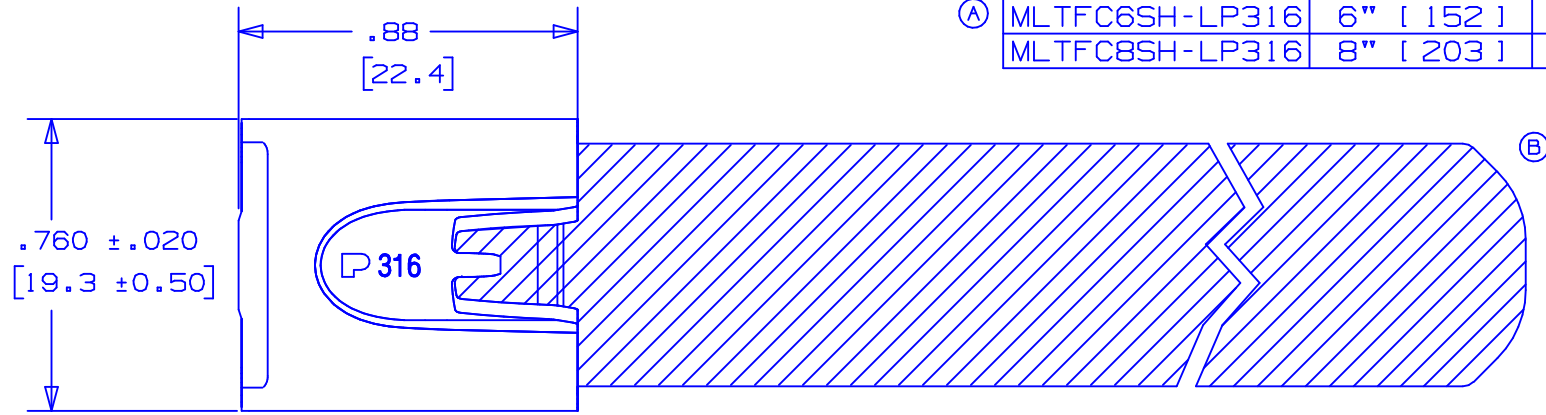



PANDUIT PART NO.	MAX. BUNDLE DIA.	PACKAGE QTY.	LENGTH "L" +/- .3" [7]
MLTFC4SH-LP316	4" [102]	50	17.1" [434]
MLTFC6SH-LP316	6" [152]	50	23.4" [594]
MLTFC8SH-LP316	8" [203]	50	29.7" [754]



SECTION A - A
SCALE: 4x

S41201_02

- NOTES:
1. APPLICATION TOOLS - RTIHT
 2. MINIMUM LOOP TENSILE STRENGTH - 450 LBS. (2002 NEWTONS) WHEN TESTED ON A 3" MANDREL.
 3. [] DENOTES DIMENSION IN MILLIMETERS
 4. TOLERANCES:
 .XXX = ±.010 [.25]
 .XX = ±.02 [.5]
 .X = ±.03 [.8]
 ANGLES = ±2°
 5. MATERIAL: 316 STAINLESS STEEL
 6. COATING - POLYESTER
 COATING THICKNESS: .002 MIN./ .005 MAX. PER SIDE

02	9/05	JAMB	EJD	Ⓟ ADDED NEW TIP CONFIGURATION	ECN#			 TINLEY PARK, ILLINOIS METAL LOCKING TIE SUPER HEAVY DUTY FULLY COATED-316 STAINLESS STEEL (CUSTOMER DRAWING)
01	4/20	JMMR	EJD	Ⓐ MLTFC4SH-LP316 WAS MLT4FCSH-LP316 MLTFC6SH-LP316 WAS MLT6FCSH-LP316	12666	CCH	JJB	
---	---	---	---	Ⓐ MLTFC8SH-LP316 WAS MLT8FCSH-LP316	---	---	---	
00	11/04	JMMR	EJD	DRAWING RELEASED	12196	CCH	JJB	
REV	DATE	BY	CHK	DESCRIPTION	ECN #	PM	CUST	DRAWN BY JMMR CHK'D EJD SCALE 2x DRAWING NO. S41201