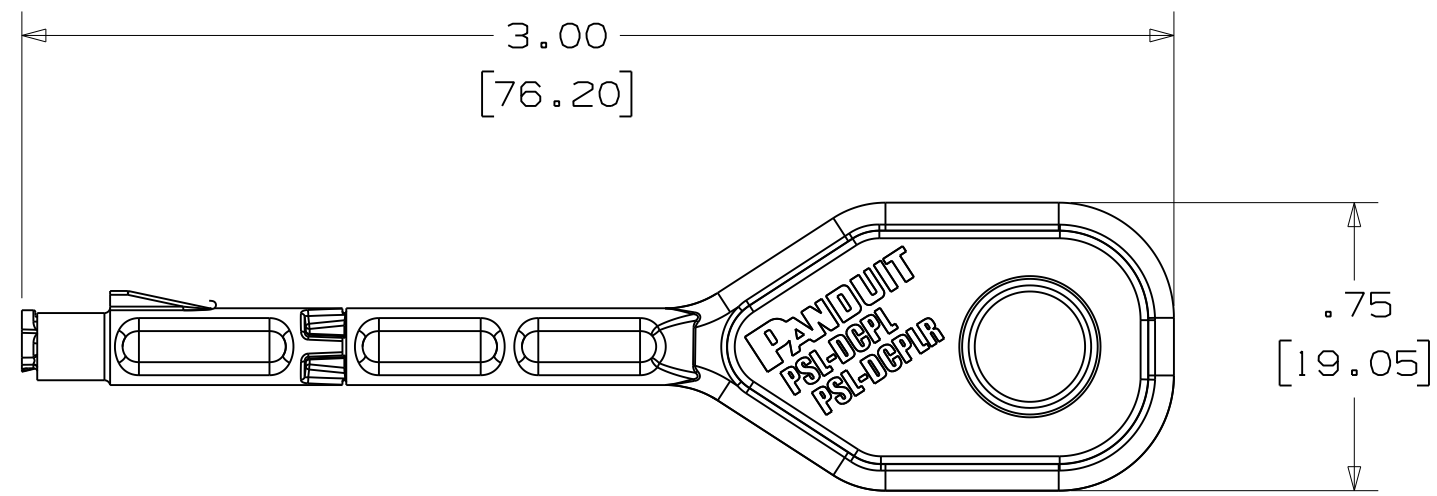


PSL - DCPL

PSL - DCPLR



KEY (BOTH VERSIONS)

REV	DATE	BY	CHK	DESCRIPTION	ECN	R	CUST	SUP
0	08/24/07	MROB		DRAWING RELEASED	5120	0		

CAD FILENAME/LAYERS 100913AA_C10608_DCPL_CD_00.prt	
PANDUIT CORP TINLEY PARK, ILLINOIS	
PSL - DCPL AND PSL - DCPLR CUSTOMER DRAWING	
UNLESS OTHERWISE SPECIFIED, DIMENSIONAL TOLERANCES ARE: (.X) ± .1 (.XX) ± .01	UNLESS OTHERWISE SPECIFIED, ALL DIMENSIONS ARE GIVEN IN INCHES, THIRD ANGLE PROJECTION ANGLES ± .005 1°
DRAWN BY MROB DATE 08/24/07	MAT'L: LOCK - IN POLYCARBONATE KEY 10% GF NYLON
SCALE 4:1	DRAWING NO. C10608 DWG SIZE C