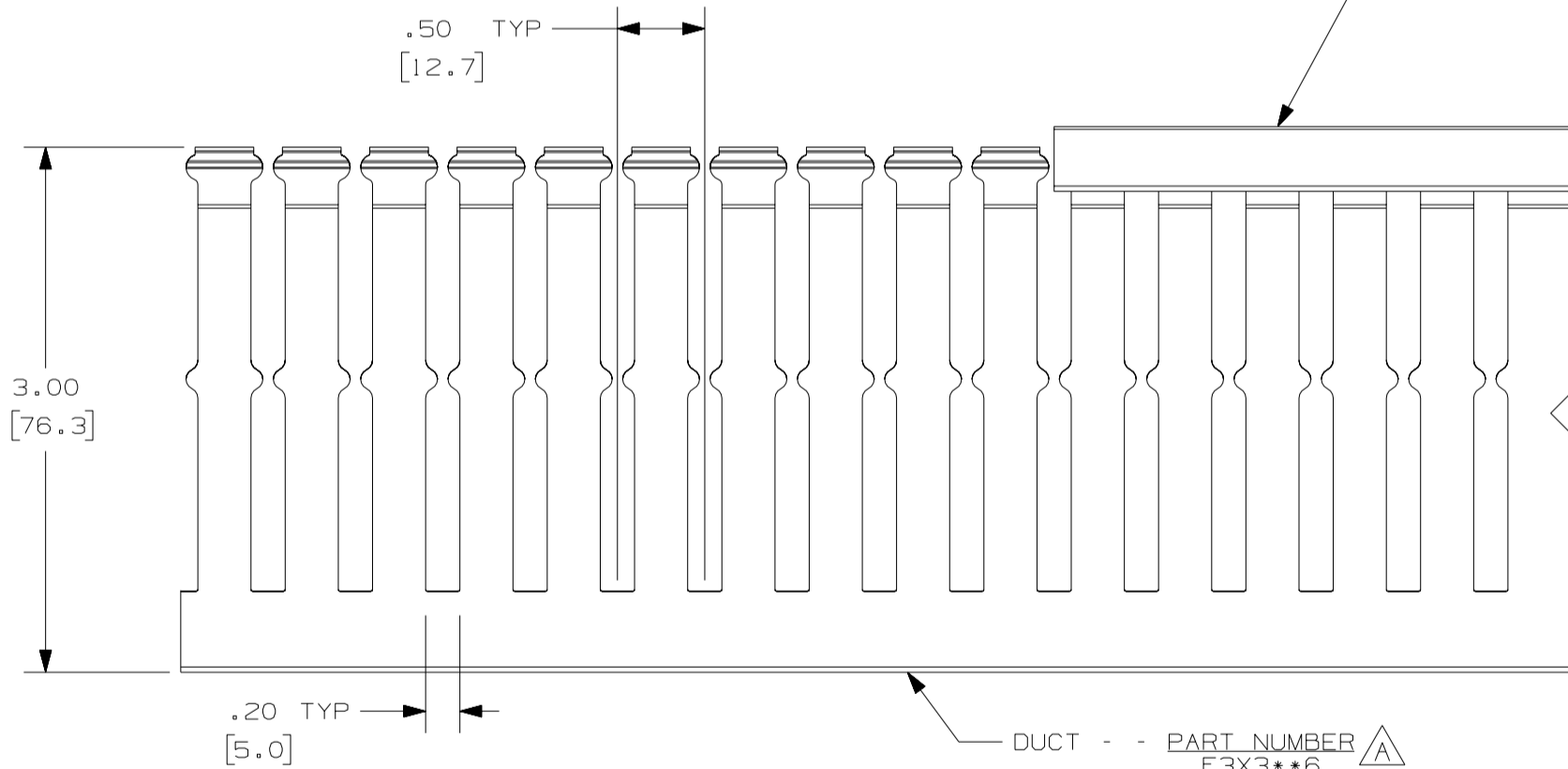
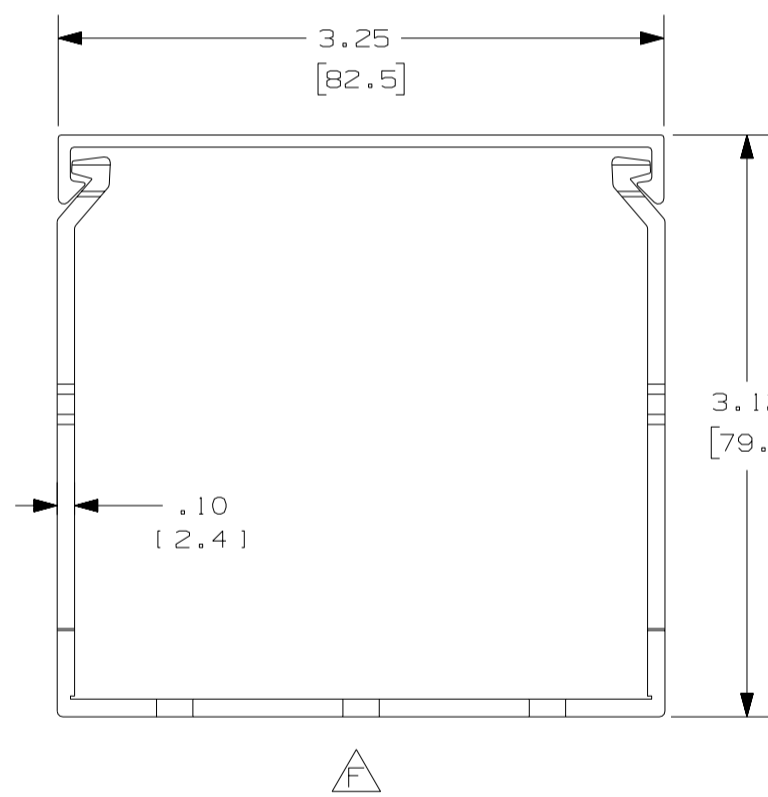


COVER - - PART NUMBER C3**6



DUCT - - PART NUMBER F3X3**6

A H

NOTES:

1. ALL DIMENSIONS ARE REFERENCE ONLY.
2. DIMENSIONS IN PARENTHESIS ARE METRIC.
3. THE ** DENOTE COLOR.
4. DUCT AND COVER ARE AVAILABLE IN 6 FT [1828.8] LENGTHS

REV	DATE	BY	CHK	DESCRIPTION
3	7-23-07	JCSTMKBE		H. ADDED LENGTH NOTE G. CORRECTED DIMENSION F. DELETED DIMENSION E. ADDED DIMENSION
2	5/5/05	JCSTMKBE		D. CHANGED DUCT DIMENSIONS / SIZE (WAS 3X4)
1	9-9-04	JCSTMKBE		C. CHANGED DRAWING SIZE B. CHANGED VIEW A. ADDED TOP VIEW, NOTES, AND LABELS
R	6-18-03	JHNU	JGG	DRAWING RELEASED

CAD FILENAME/LAYERS		D11000CP_DC/00D	
		CORP. TINLEY PARK, ILLINOIS	
		WIRING DUCT - TYPE F DUCT WITH COVER 3X3	
MARKETING DRAWING		DRAWN BY	JHNU
DATE		6-18-03	MAT'L:
CHECKED BY		JGG	PVC
SCALE		FULL	
DRAWING NO.		36897-778	
DWG SIZE		C	