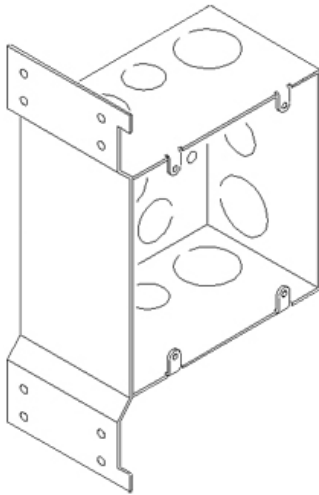




Making Communications & Fire Protection More Reliable and Cost-Effective!

Product Specifications:



Product Number A-55054

5 SQUARE[®] Fire Signal Box

Product Description:

5 in. Square x 2.875" Deep Metal Bracket Box

Volume:

67 in³ (1098 cm³)

Side Knockouts:

(1) ½" & (2) 1" three sides

Back Knockouts:

(3) ½" & (2) ¾"

Listing: C UL US

Patented

Benefits of the 5 SQUARE[®] Roomy Design:

- The first fire alarm backbox created explicitly for flush mounting of fire alarm signals
- The **5 SQUARE[®]** boxes provide up to 88cu in. of interior volume, more than double that of most existing boxes
- Saves hours of troubleshooting time on ground faults and short circuits
- Proven to be effective at reducing installation costs and time
- Proven to be able to allow pass-through conductors, which may reduce conduit
- Can be used on all fire signals, thereby creating an easily upgradable system for owners - with tremendous future cost savings!
- Proven to truly make the easiest and most cost effective installation possible when using oversized voice evacuation signals
- The **5 SQUARE[®]** patented backbox design provides an extension ring that reduces the opening to a standard 4 square
- Designed by professional installers