



*Wind Things Up With Reelcraft*



## Operating Instructions and Parts List for Series 5000 Cord Reels



### IMPORTANT

**READ THIS MANUAL CAREFULLY BEFORE  
INSTALLING, OPERATING, OR SERVICING  
THIS EQUIPMENT**

### SAFETY PRECAUTIONS

Personal injury and/or equipment damage may result if proper safety precautions are not observed.

- Ensure that only a qualified electrician installs/servics this equipment.
- Ensure that power supply voltage does not exceed maximum voltage rating of reel.
- Ensure that reel is properly installed before connecting to power supply.
- Ensure that all electrical power is removed from reel before servicing.
- A high-tension spring assembly is contained within the reel. Exercise extreme caution.
- Check for frayed and/or broken wires before each use. Pull electrical cord from reel by grasping the electrical cord itself, not the work device.
- If an electrical malfunction should occur, remove power from reel immediately.
- Ensure that reel, electrical cord, and equipment being serviced are properly grounded. Use an ohmmeter to check ground continuity.
- If reel ceases to unwind or rewind, remove power immediately. Do not pull or jerk on electrical cord!
- Treat and respect the reel as any other piece of machinery, observing all common safety practices.
- All cord reels with GFCI receptacles must be hard wired into the electrical circuit to ensure proper function.

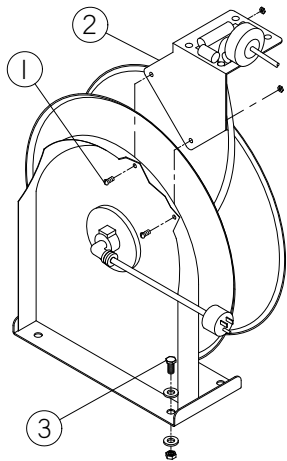
### DIMENSIONAL DATA

A	14 1/2"	
B	13 3/4"	
C	9 3/4"	
D	2 1/2"	
E	12 1/2"	
F	1 1/4"	

Four 5/16" diameter mounting holes

**WARNING:** Even low voltage can cause irreparable damage or death!  
Exercise extreme caution while operating or servicing this equipment.

## Installation Instructions Mounting

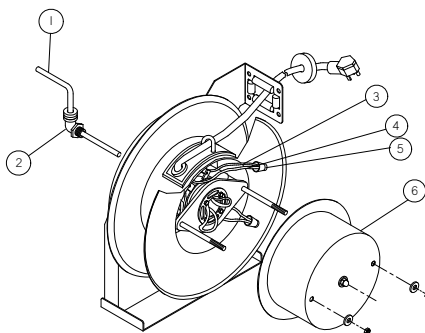


### CAUTION:

Unless reel was specified differently when ordering, maximum installation height is 16 feet. Do not exceed this distance. Ensure that only a qualified electrician installs/services this equipment. Observe applicable NEC, OSHA, and local codes when installing this equipment. Installation of GFCI cord reels should be performed by a qualified and licensed professional in accordance with local building codes and applicable NEC standards.

1. Unpack and inspect the reel for damage. Turn by hand to check for smooth operation. Check for completeness.
2. Configure reel for top, side or bottom-wind (bottom-wind for constant tension reels only) electrical cable dispensing by removing bolts (1) securing guide arm bracket (2).
3. Determine new guide arm bracket location and remove corresponding bolts. Position guide arm bracket to reel and replace bolts.
4. Position reel on floor, wall or ceiling. Secure into place using four (customer supplied) screws or bolts (3).

## Installing the Input Electrical Cable: 30 AMP Models



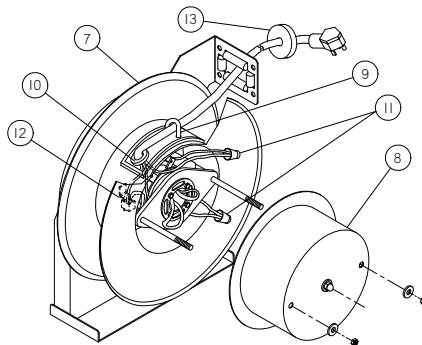
### WARNING:

Use only 10/3 cable for input wiring. Ensure that application does not exceed electrical rating of reel. (See page 7 of this manual).

1. Feed input cable (1) through elbow (2) and main shaft.
2. Screw elbow (2) into reel.
3. Connect input wires (3) and collector ring wires (4) together using wire nuts (5).
4. Assemble cover (6) to reel.

## Refer to Page 6 for Installation on 20 AMP Models

## Installing the Output Electrical Cable: 30 AMP Models



### WIRE COLOR CODE

Black-Hot  
White-Neutral  
Green-Ground

### WARNING:

Select output cable in accordance with power requirement of apparatus to be supplied. Ensure that application does not exceed electrical rating of reel (see page 7 of this manual). Use extreme caution, reel under tension. Avoid releasing latch mechanism.

1. Manually turn sheave (7) until spring is tight, back off 2 turns, and latch.
2. Remove access cover (8).
3. Remove 6" of output electrical cable outer jacket.
4. Route cable through guide arm and U-clamp (9) then through cut-out (10) in spool.
5. Tighten U-clamp (9).
6. Using wire nuts (11), connect output electrical cable wires to collector assembly brush wires as indicated in illustration.
7. Connect ground wire of output electrical cable to ground lug (12) located on inner side of spool.
8. Using ohmmeter, check for ground faults.
9. Replace access cover (8). Release latch and wind output electrical cable onto reel.
10. Install cable bumper (13).

## Refer to Page 6 for Installation on 30 AMP Models

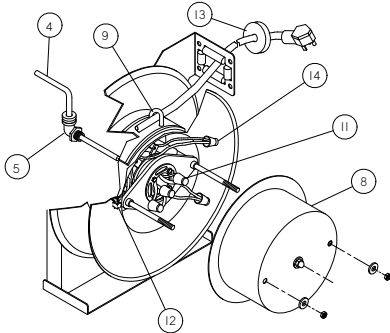
## Adjusting the Spring Tension

If necessary, adjust spring tension on reel by adding or removing wraps of electrical cord from spool, one wrap at a time, until desired tension is obtained. Add wraps to increase tension. Remove wraps to decrease tension.

### WARNING:

When adding wraps of electrical cord, be careful not to exceed the winding mechanism's spring capacity. Add just enough wraps of cord to achieve the desired tension. Damage to the winding mechanism will result if spring is over-tightened. Always be aware of spring tension on reel. Exercise extreme caution.

## Troubleshooting Instructions: 30 AMP Models



Troubleshooting of the reel consists of isolating a problem to a defective electrical cord/work device, brush holder/brushes, or collector assembly. Refer any other discrepancies only to an authorized service person or directly to Reelcraft.

### WARNING:

The following procedure directs the technician to take voltage measurements. Remember, even low voltage is dangerous and can cause personal injury or death. Exercise extreme caution! Ensure that only a qualified electrician installs/services this equipment.

1. Remove power from reel.
2. Remove cover (8) from reel.
3. Remove wire nuts (14) securing input electrical cable wires to collector ring assembly wires. Ensure that bare wires do not contact each other or the reel superstructure.
4. Apply power to reel.
5. Using voltmeter, check voltage between black wire (hot) and white wire (neutral). If voltage reading is correct (120 vac), proceed to step 6. If voltage reading is incorrect, replace input electrical cable or Collector Ring Ass'y (refer to Service Instructions).

## Service Instructions: 30 AMP Models

### WARNING:

Remove power from reel before performing any of the following procedures.

## Replacing the Input Electrical Cable

1. Remove access cover (8) from reel.
2. Remove wire nuts (14) connecting input electrical cable (4) wires to collector ring ass'y wires.
3. Unscrew elbow (5) from reel & pull out input cable from main shaft & elbow.
4. Install replacement input cable (refer to Installation Instructions).

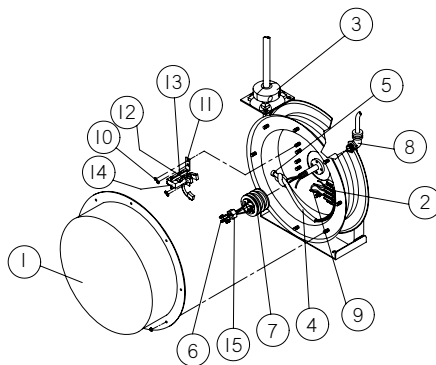
## Replacing the Output Electrical Cord

### WARNING:

Use extreme caution, reel under tension. Avoid releasing latch mechanism.

1. Pull output electrical cable from reel until cable is fully extended, then latch.
2. Remove access cover (8).
3. Remove wire nuts (11) securing output electrical cable wires to collector assembly brush wires.
4. Remove output electrical cable ground wire from ground lug (12).
5. Loosen U-clamp (9).
6. Remove output electrical cable.
7. Remove cable bumper (13).
8. Install replacement input electrical cable (refer to Installation Instructions).

## Troubleshooting Instructions: 20 AMP Models



Troubleshooting of the reel consists of isolating a problem to a defective electrical cord/work device, brush holder/brushes, or collector assembly. Refer any other

discrepancies only to an authorized service person or directly to Reelcraft.

### WARNING:

The following procedure directs the technician to take voltage measurements. Remember, even low voltage is dangerous and can cause personal injury or death. Exercise extreme caution! Ensure that only a qualified electrician installs or services this equipment.

1. If work device is either an incandescent or fluorescent light, replace bulb with a known good bulb. If this does not correct the problem, proceed to step 2. If work device is an electrical receptacle, ensure that tool or fixture connected to it is in good working order. If it is, proceed to step 2.
2. Remove power from reel.
3. Remove access cover (1).
4. Reapply power to reel.
5. Check for correct voltage (120 vac) at a terminal strip (2). If voltage reading is correct, replace output electrical device (refer to Service Instructions). If voltage reading is incorrect, proceed to step 6.
6. Remove power from reel.
7. Using ohmmeter, check continuity of input electrical cord. If cord checks good, proceed to step 8. If cord is faulty, replace it (refer to Service Instructions). Remove brush holder/brushes from reel and inspect (refer to Service Instructions). Replace defective components then proceed to step 9.
8. Reapply power to reel.
9. Check for correct voltage (120 vac) at terminal strip (2).
10. If voltage reading is still incorrect, replace defective collector assembly (refer to Service Instructions).
11. Replace access cover (1).

## Service Instructions: 20 AMP Models

Maintain reel by following the service instructions given below. Refer all other repairs, other than those listed, only to an authorized service person or directly to

Reelcraft. Failure to do so can result in personal injury and/or equipment damage and may void the warranty.

**WARNING:**

Remove power from reel before performing any of the following procedures.

**Replacing the Output Electrical Cord/Work Device**

**WARNING:**

Use extreme caution, reel under tension. Avoid releasing latch mechanism.

1. Pull output electrical cord from reel until fully extended, then latch.
2. Remove output electrical cord bumper (3).
3. Remove access cover (1).
4. Disconnect output electrical cord/work device (4) at terminal strip (2).
5. Remove cable clamp.
6. Remove strain relief (5). Remove output electrical cord/work device.
7. Install replacement electrical cord/work device by reversing steps 2 through 5.
8. Release latch and rewind electrical cord on reel.
9. Replace access cover (1) and cord bumper (3).

**Replacing the Input Electrical Cord**

**WARNING:**

All cord reels with GFCI receptacles must be hard wired into the electrical circuits. Use of 2 or 3 prong plugs may cause a potential malfunction of the GFCI receptacle.

1. Remove access cover (1).
2. Remove wire nuts (6) securing input electrical cord to collector assembly (7).
3. Remove zip tie (not pictured), being careful to not damage wires.
4. Remove 90 degree elbow (8).
5. Remove input electrical cord.
6. Remove 11" of outer jacket from replacement input electrical cord (input electrical cord wires must protrude a

minimum of 6" from center of collector assembly).

7. Install replacement input electrical cord by reversing steps 1 through 4.
8. Replace access cover (1).

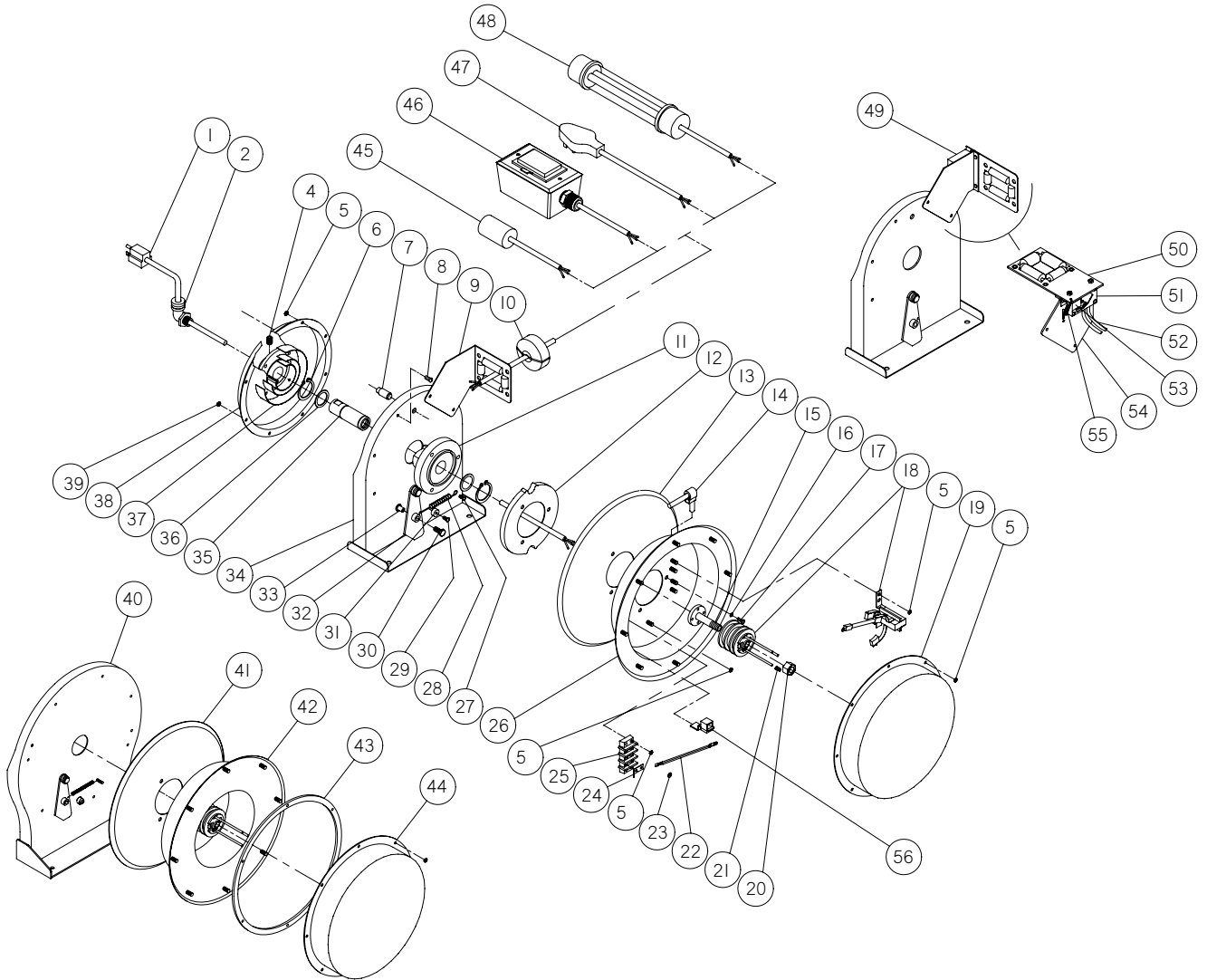
**Replacing the Brush Holder/Brushes**

1. At terminal strip (2), remove wires connecting brushes (9) to terminal strip.
2. Remove lock nuts (10) securing brush holder (11) to reel. Relocate cable clamp temporarily and remove brush holder.
3. Remove brushes (12) from brush holder (11).
4. Install replacement brush holder/brushes by reversing steps 1 through 3. Upon completion of installation, adjust brush-to-ring alignment by loosening nuts (13) and sliding finger assembly (14).

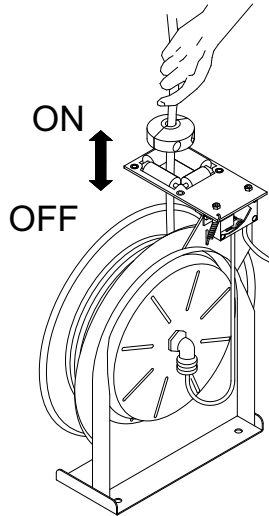
**Replacing the Collector Assembly**

1. Remove access cover (1).
2. Remove wire nuts (6) securing input electrical cord to collector assembly.
3. Remove zip tie (not pictured), being careful to not damage wires.
4. At terminal strip (2), disconnect wires (9) connecting brushes (12) to terminal strip.
5. Remove lock nuts (10) securing brush holder (11) to reel. Relocate cable clamp temporarily and remove brush holder.
6. Remove coupling nut (15).
7. Remove collector assembly.
8. Install replacement collector assembly by reversing steps 1 through 5. Upon completion of installation, adjust brush-to-ring alignment by loosening nuts (13) and sliding finger assembly (14).
9. Replace access cover (1).

## REELCRAFT - PART NUMBER IDENTIFICATION



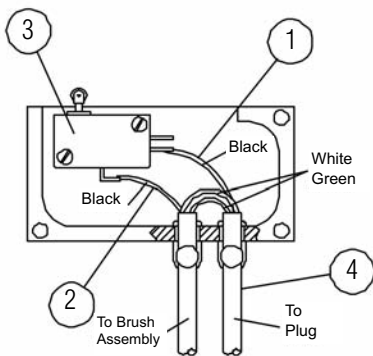
## Operating Instructions Autoswitch



## Operation

To operate Autoswitch reels, pull and retract cable. When cable is fully retracted, the reel is in the "OFF" position. As the cable is pulled out, the guide arm pivots upward and the reel is in the "ON" position.

## Troubleshooting Autoswitch



## Service Instructions

Maintain reel by following the service instructions given below. Refer all other repairs, other than those listed, only to an

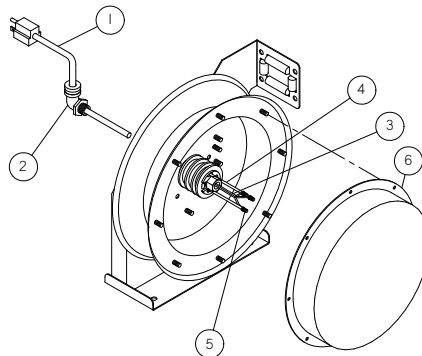
authorized service person or directly to Reelcraft. Failure to do so can result in personal injury and/or equipment damage and may void the warranty.

If reel fails to operate electrically, refer to "Troubleshooting" instructions on page 5. If problem persists, check switch using the following steps.

1. Using an ohmmeter, check for continuity between lines (1) and (2) while switch is in the "ON" or "UP" position.
2. If continuity test fails, replace switch (3).
3. If continuity test passes, check for inlet cord (4) damage.

## Installation Instructions

### Installing the Input Electrical Cable: 20 AMP Models

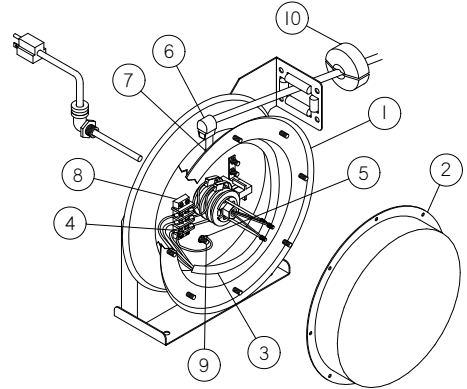


#### WARNING:

Use only 12/3 or 16/3 cable for input wiring. Ensure that application does not exceed electrical rating of reel (see page 7 of this manual).

1. Feed input cable (1) through elbow (2) and main shaft.
2. Screw elbow (2) onto reel.
3. Connect input wires (3) and collector ring wires (4) together using wire nuts (5).
4. Take the provided zip tie (not pictured) and zip tie the input cable wires together closest to the slip ring.
5. Assemble cover (6) to reel.

### Installing the Output Electrical Cable: 20 AMP Models



#### WARNING:

Select output cable in accordance with power requirement of apparatus to be supplied. Ensure that application does not exceed electrical rating of reel (see page 7 of this manual). Use extreme caution, reel under tension. Avoid releasing latch mechanism.

1. Manually turn sheave (1) until spring is tight, back off 2 turns and latch.
2. Remove access cover (2).
3. Remove 6" of output cable outer jacket (3) and add fork terminals (4) to ends.
4. Route cable through strain relief (6), then through cut out in spool (7).
5. Pull enough cable through hole for roughly a 1/2 an inner wrap shown.
6. Connect output wires to terminal block (8) as shown.
7. Connect ground wire to grounding stud (9) as shown.
8. Using an ohmmeter check for ground faults.
9. Take the provided cable clamp (not pictured) and attach it to the wire. Then take the cable clamp and screw it down to the right-most screw on the brush assembly (with the brush assembly facing upward).
10. Replace cover (2).
11. Replace latch and wind cable onto reel.
12. Install cable bumper (10).

ITEM NO.	DESCRIPTION	MODEL NO.	NO. REQ'D	PART NO.
45	Plug 50', RV Plug 35'	L 5750 103 4, L 5035 103 4	1	260635, 260676
46	Dual GFCI Receptacle	L 5550 123 7	1	600530-50
46A	Dual Receptacle	L 5550 123 7B, L 5550 123 7D	1	602255-50
47	Single Outlet (Female)	L 5550 123 3	1	600282
48	Fluorescent Lamp & Cord Ass'y	L 5245 A 163 6X	1	S600481
2	Connector, 90° Cord	L 5245 A 163 6X	1	261140-1
2	Connector, 90° Cord	L 5550 123 3I 5550 123 7	1	S261140

**PARTS COMMON TO L 5200, L5400, L 5500 MODELS**

ITEM NO.	DESCRIPTION	PART NO.	NO. REQ.	ITEM NO.	DESCRIPTION	PART NO.
4	Screw, Set Pin	300006	1	28	Latch Plate Spring	S400018
6	Snap Ring	300031	2	31	Latch Bumper	S400021
7	Spring Case Stud	S261360	1	32	Latch Plate Ass'y	S400109
11	Spring Arbor	S400017	1	33	Latch Bushing	S400012
12	Latch Cam	S500019	1	35	Main Shaft	S602348
15	Flange Shaft	260516	1	36	Spacing Washer	300034
17	Hex Bolt 1/4-20	S2-42	3			
18	Slip Ring & Brush	S602296	1			
20	Snap Ring	S140-13	1			
23	Lock Washer	S115-10	1			
24	Quick Connect	260609	1			
25	Terminal Block	600205	1			

**PARTS COMMON TO AUTOSWITCH REEL**

ITEM NO.	DESCRIPTION	PART NO.	NO. REQ.	ITEM NO.	DESCRIPTION	PART NO.	NO. REQ.
1	Inlet Cord Ass'y	600472	1	34	Base Ass'y	500101	1
5	Lock Nut 10-32	300011	22	37	Drive Spring Ass'y	505755	1
8	Screw 10-32 x 1/2	300002	2	38	Spring Case & Hub	500103	1
10	Hose Bumper Ass'y	600193	2	39	Nut, Nyloc	S82-15	1
13	Disc. Sheave	400006	1	48	Fl. Light & Cord	600481	1
14	Strain Relief	260501	1	49	Autoswitch Ass'y	600480	1
16	Split Lock Washer	902016	3	50	Roller Plate Ass'y	600342	1
19	Cover	261723	1	51	Switch Box	260780	1
21	Wire Nut	260500	3	52	Cord, Outlet	600472	1
22	Grounding Cord	600241	1	53	Switch	260775	1
26	Sheave Ass'y	600194-1	1	54	Guide Arm	260984	1
27	Screw 10-32 x 3/8"	300001	5	55	Spring	260779	1
29	Screw 10-24 x 3/8"	S32-136	1				
30	Screw 10-32 X 1"	300035	1				

**REPLACEMENT PARTS FOR 5000 MODELS**

ITEM NO.	DESCRIPTION	PART NO.	NO. REQ'D	ITEM NO.	DESCRIPTION	PART NO.	NO. REQ.
10	Bumper Ass'y	1-HR1004-3	1	35	Base	500101	1
21	Wire Nuts	260868	6	36	Drive Spring Ass'y	S504240	1
56	Grounding Terminal	260675	1	65	Cord Ass'y	260764	1

**REPLACEMENT PARTS FOR 5700 MODELS**

ITEM NO.	DESCRIPTION	PART NO.	NO. REQ'D	ITEM NO.	DESCRIPTION	PART NO.	NO. REQ.
10	Bumper Ass'y	A600267	1	37	Drive Spring Ass'y	S600050	1
21	Wire Nuts	260868	1	40	Base	600029	1
56	Grounding Terminal	260675	1	45	Cord Ass'y	260635	1

**REPLACEMENT PARTS FOR 5400 MODELS**

ITEM NO.	DESCRIPTION	PART NO.	NO. REQ'D	ITEM NO.	DESCRIPTION	PART NO.	NO. REQ'D
5	Lock Nut 10-32	300011	19	21	Grounding Cord	600283	1
8	Screw, 10-32 x 1/2"	300002	2	24	Sheave Ass'y	600254	1
9	Guide Arm & Roller	S500107	1	26	Screw, 10-32 x 3/8"	300001	5
10	Hose Bumper Ass'y	A1-HR1004-A	1	28	Screw, 10-24 x 3/8"	S32-136	1
13	Disc. Sheave	400006	1	29	Screw, 10-32 x 1"	300035	1
14	Strain Relief	260633	1	33	Base Ass'y	500101	1
16	Split Lock Washer	902016	3	36	Drive Spring Ass'y	503755	1
19	Cover	261723	1	37	Spring Case & Hub	500103	1
21	Wire Nut	260774	3	38	Nyloc Nut	S82-15	1

**REPLACEMENT PARTS FOR 5500 MODELS**

ITEM NO.	DESCRIPTION	PART NO.	NO. REQ'D	ITEM NO.	DESCRIPTION	PART NO.	NO. REQ'D
5	Lock Nut 10-32	300011	20	39	Lock Nut 10-32	300011	1
9	Guide Arm Ass'y	600031	1	40	Base Ass'y	600029	1
10	Hose Bumper Ass'y	1-HR1004	1	41	Disc. Sheave	260151	1
14	Strain Relief	260697	1	42	Sheave Ass'y	600281	1
16	Split Lock Washer	902016	3	43	Gasket	260696	1
21	Wire Nut	260774	1	44	Cover	261723	1
22	Grounding Cord	600283	1				
37	Drive Spring Ass'y	S600050	1				
38	Spring Case & Hub	600094	1				

**ELECTRICAL INFORMATION**

VOLTAGE A/C	AMPS	FREQUENCY
115	20	60 HZ. Single Phase
115	30	60 HZ. Single Phase