



# 065-1050ASC 10/100BaseT/TX to 100BaseFX PoE/PoE+ PSE Media Converter SC/MM

This quick start guide describes how to install and use the Signamax 065-1050ASC Media Converter with PoE/PoE+.

## Overview

065-1050ASC is a wall-mount bracket 10/100Mbps Ethernet Twisted pair to 100Base-FX Fiber-optic PoE Bridge Converter. This converter is used to convert one type media signal to another easily, efficiently and inexpensively. The converter provides Power over Ethernet power injector function which is able to drive one IEEE 802.3af/IEEE802.3at compliant powered devices.

## General

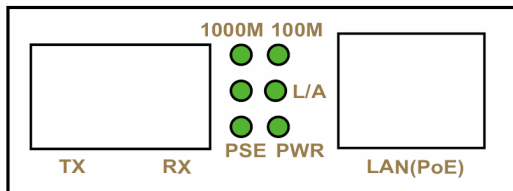
To ensure trouble free transportation and storage, all products must be thoroughly inspected, tested and properly packed before delivery. Check the product upon receipt for any visible damage which may have been caused during shipment..

## Package Content

- Signamax 065-1050ASC PoE Media Converter x 1
- AC-DC Power Adapter (Input: 48V DC, 1.4A max.) x 1
- User's Manual x 1

## Physical Description

Front Panel



Real Panel



## Top Panel



### Installation

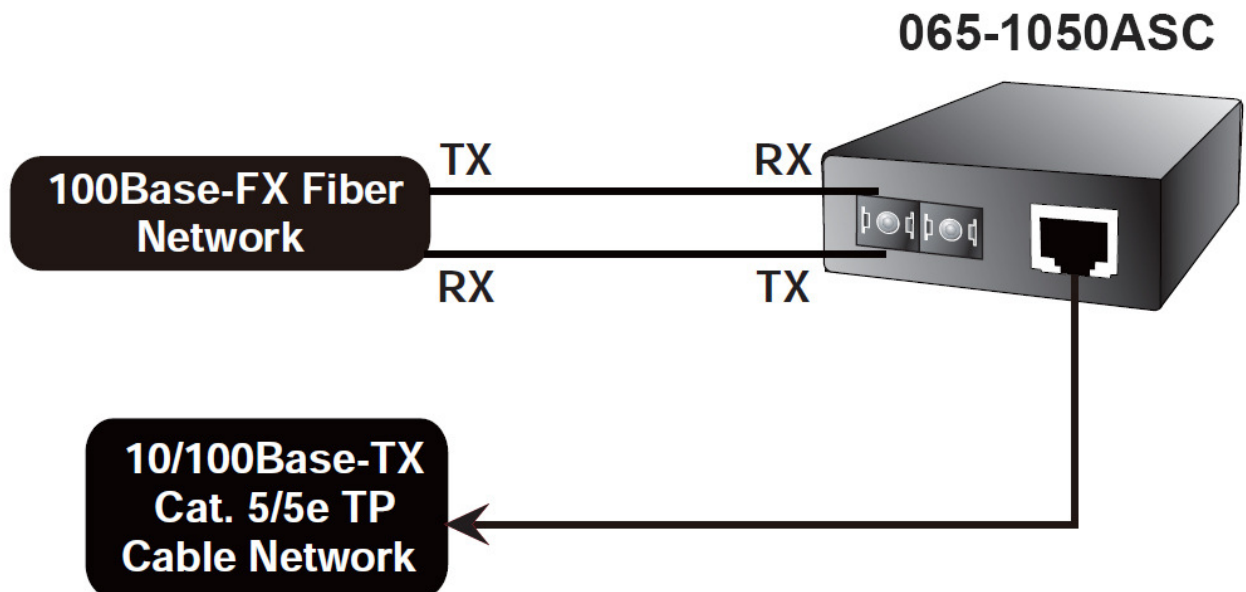
Please make sure to use this products based on the following regulation, in order to avoid any damage to human body or to other connected products.

Before installation, please make sure:

1. Note the value range and the related mark on the product and the User Guide;
2. Make sure the power adapter specification matches with the product label

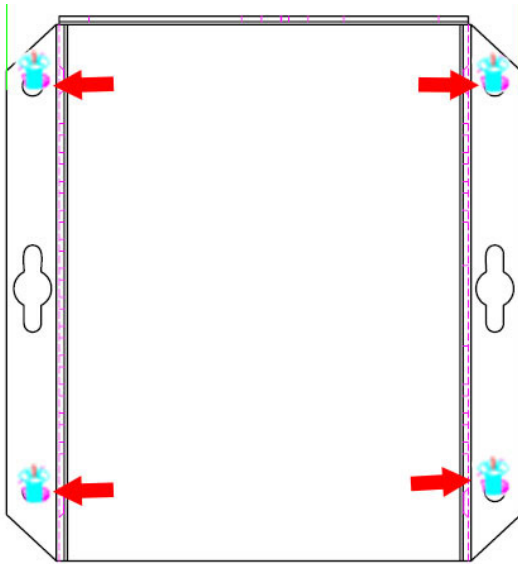
Installation Steps:

1. Connect optical fiber patch cord with Media Converter fiber port. Note fiber TX on one end should be connected to RX on the other end to Media Converter.
2. UTP wire to RJ45 port of the Media Converter. 100Base-TX requires 2 twisted pairs (1/2; 3/6), while 100 Base-T requires 4 twisted pairs, and it must be Super Category 5 twisted pair or Super Category 6 twisted pair.
3. Connect the power adapted DC plug with Media Converter DC plug, and then insert the AC power adapter plug to AC socket, turn on the power, now the Media Converter POWER indicator is ON, the other indictors will be ON successively with the self-inspection turn. The RJ45 port will detect the connected device status to decide itself working status, if no devices are detected; Media Converter RJ45 port will be set up to be Full-duplex, which will be displayed with the LED indictor

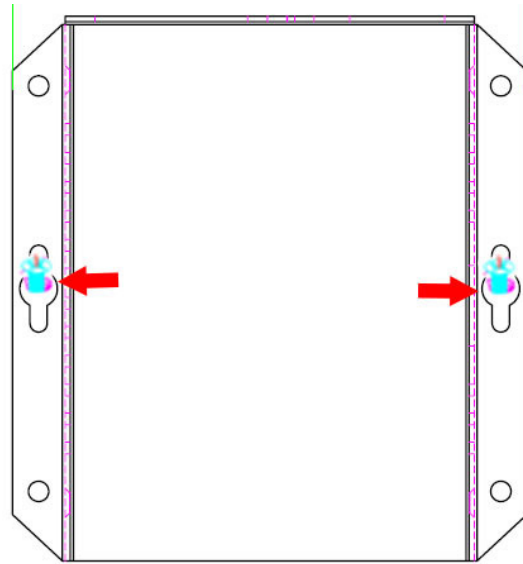


### Wall Mount Installation

065-1050ASC can also be installed on a wall or a flat surface. Installation steps are as follows:



1. Tighten the screws to fix the wall mount bracket



2. Mount the switch on the wall or on a flat surface with 2 screws piercing through the mounting holes to secure it in position.

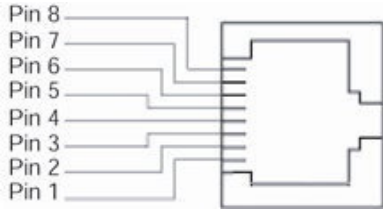
### Setup

- a) Connect the Ethernet port of the media converter to a PoE Powered Device (PD), such as an IP camera, or a network device with a network cable.
- b) Connect the fiber cable from the device (media converter or switch) on the other end to the SC connector.
- c) After the device is powered on, the PWR indicator will all be on. If the indicators are not on, check the power supply connection.
- d) After all cables are correctly connected, the indicators will be lit as per port status LEDs (page 4).

### Interface

#### Ethernet Port

#### RJ-45 Pin Assignment



| Pin | 065-1050ASC<br>Signal Definition |
|-----|----------------------------------|
| 1   | Positive (VCC+)                  |
| 2   | Positive (VCC+)                  |
| 3   | Negative (VCC-)                  |
| 4   | TD0+                             |
| 5   | TD0-                             |
| 6   | Negative (VCC-)                  |
| 7   | TD3+                             |
| 8   | TD3-                             |

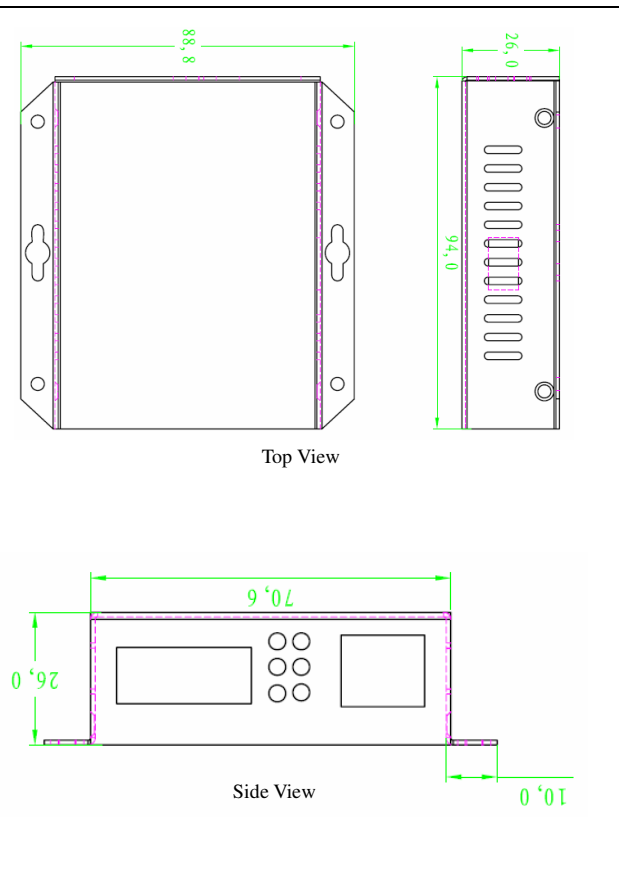
#### Power Connection



|          |   |        |                |
|----------|---|--------|----------------|
| 48~57VDC | - | GND    | Terminal Block |
|          | + | 48~57V |                |

#### The Port Status LEDs, dimension drawing

| LED                   | State              | Indication  |
|-----------------------|--------------------|---|
| PWR                   | Green              | Power on.   |
|                       | Off                | Power off.  |
| 100<br>1000<br>(SC)   | Green              | 100Base-FX Fiber link stable<br>1000Base-FX Fiber link stable |
|                       | LINK/ACT<br>(SC)   | Steady<br>Flashing  |
| PSE                   | Green              | PoE is activated.   |
|                       | Flashing           | A Power Device (PD) is being detected.                        |
|                       | Off                | No device is connected or the connected device is not a PD.   |
| 100<br>1000<br>(RJ45) | Green              | 100Base-TX<br>1000Base-TX.                                    |
|                       | LINK/ACT<br>(RJ45) | Steady<br>Flashing  |



**Functional Description**

- Converts 100Base-TX port to 100Base-FX (065-1050ASC)
- Supports IEEE802.3af Power over Ethernet (POE)
- Supports IEEE802.3at Power over Ethernet (POE+)
- Supports Full/Half duplex.
- Supports Auto-MDI/MDIX.
- Support Wall-mount installation
- Extensive LED indicators for network diagnostics
- Environmentally -10°C to 50°C (14° F to 122° F) operating temperature.