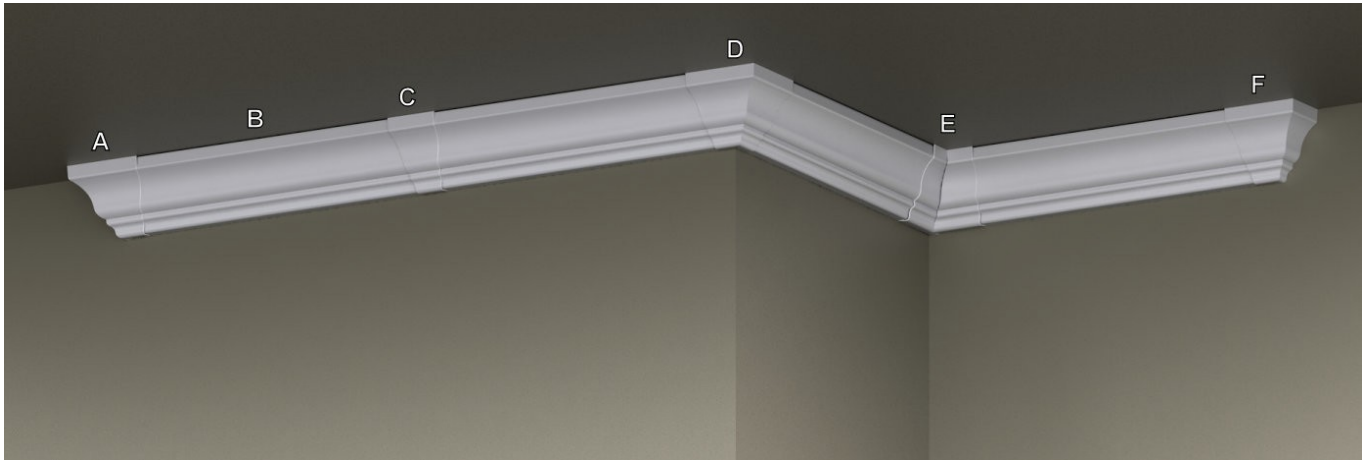




5-3/4" Classic Colonial



Part	Part Number	Description
A	CCEZLR	Left Hand Return (End Cap)
B	CCEZ94*	94-1/2" Raceway Molding
C	CCEZKS	Keystone (Joint Cover)
D	CCOC90	Outside 90 Corner
E	CCEZC	2pc. Inside Coping Corner
F	CCEZRR	Right Hand Return (End Cap)
G	LB5	5-1/2" Mounting Bracket
H	Cable Clip	Cable Clip (optional)

\* Custom lengths are available. Lead time and minimum orders are required. Contact Spexco, LLC. for details.

## Specifications:

*Raceway Crown* is a 2 piece design with bracket and molding cover. The surface mount raceway system is designed to protect and conceal low voltage wire and cable, data, voice, and fiber optic. The brackets are mounted to the top of the wall with the proper fasteners depending on the wall substrate that are supplied by the installer. Cables are installed and can be supported by the optional cable clips or by other methods available to maximize available raceway area. The decorative raceway molding is secured by applying pressure to the molding onto brackets with a snap fit design that is secure as well as allowing accessibility for future upgrades.

All of the materials used in manufacturing will be impact resistant and UL94VO compliant. Raceway Crown finish will be white in color and will resist scratching, dents, and will not peel or corrode. Raceway Crown is paintable with latex primers and paints.

Designed for interior use only.

## **Technical Information:**

**Material:** Rigid Polyvinyl Chloride

**Flammability:** Moldings: UL94VO - E84-12A\*  
Components: UL94V-O

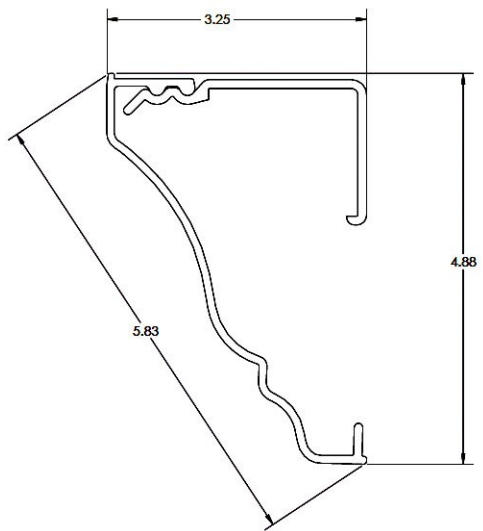
**Color:** White

## **Features and Benefits:**

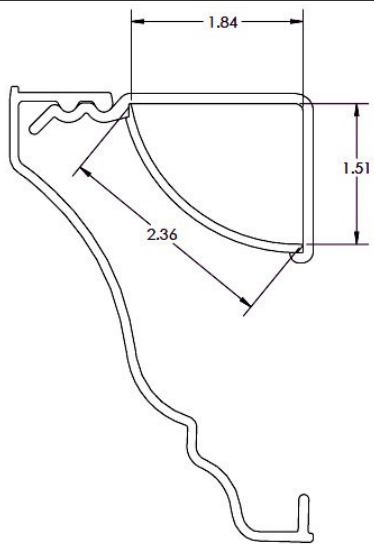
- Extremely Durable
- Easy Installation
- Large Capacity Raceway
- Decorative
- Paintable
- Predrilled mounting brackets
- No Maintenance
- Removable
- 2 year warranty against material defects

## **Applications:**

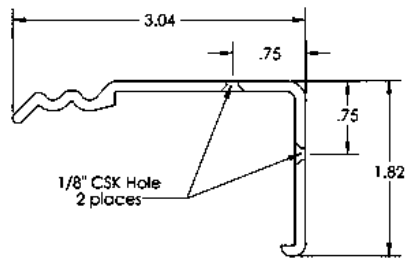
*Raceway Crown* is an ideal solution when a decorative raceway is desired. The aesthetically pleasing design adds to the decor while discreetly offering a large, tamper resistant raceway for cabling, etc..



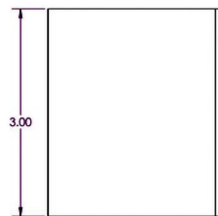
Profile and LB5



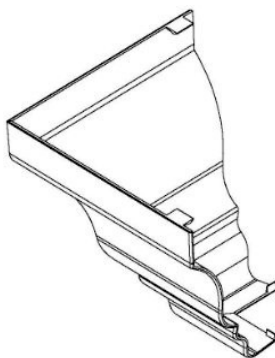
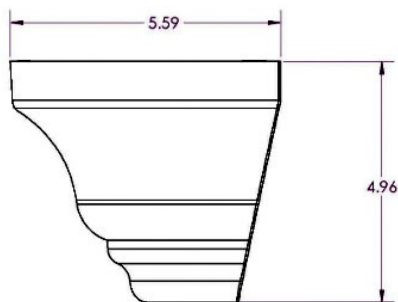
Profile, LB5, and Cable Clip



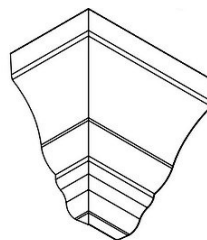
LB5



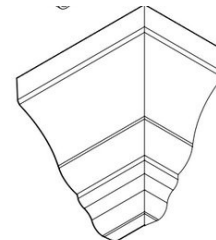
Cable Clip



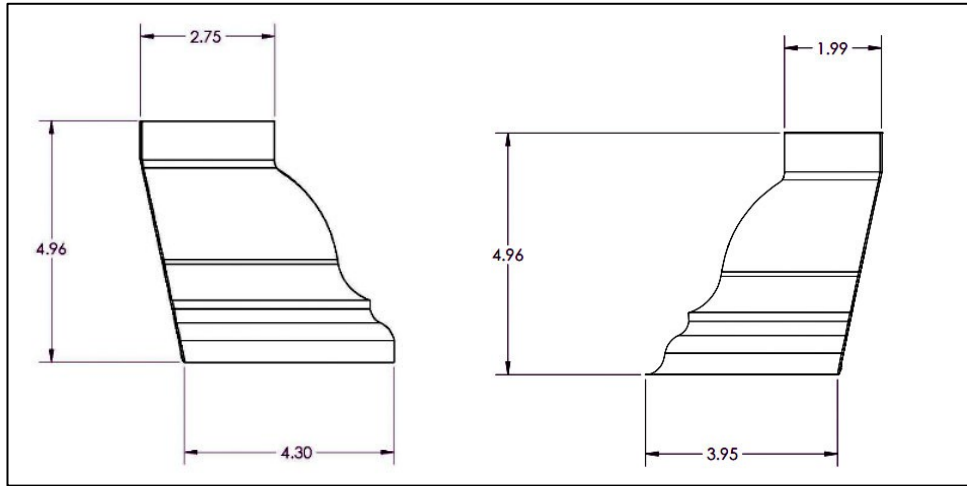
CCOC90  
(outside 90 corner)



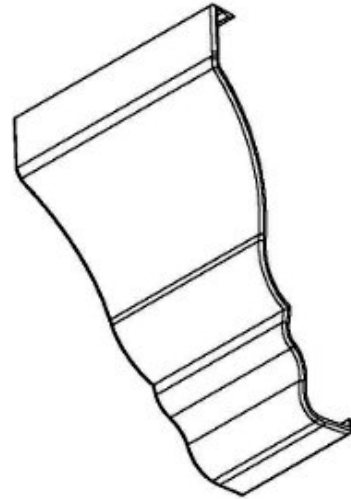
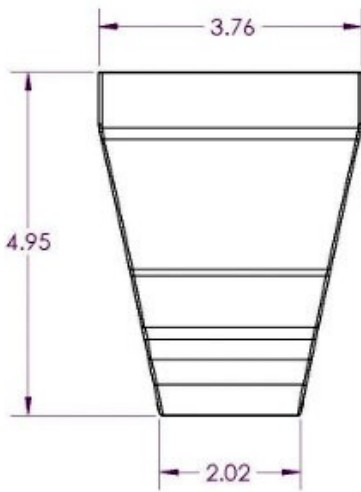
CCEZLR  
(left end cap)



CCEZRR  
(right end cap)



CCEZC  
(2 pc. inside corner)



CCEZKS  
(joint cover)