

**WARRANTY
REGISTRATION:**
register online today for a chance
to win a FREE Tripp Lite product!



Owner's Manual

1U Rackmount Console (for KVM Switch or Server)

Model #: B021-000-17

Package Content

- 1 B021-000-17 1U Rackmount Console
- 1 AC Power Cord
- 1 KVM Cable Kit
- 1 Owner's Manual

Overview

The B021-000-17 1U Rackmount Console features an integrated LCD panel, full keyboard and touch pad in a 1U rackmountable housing. This console is designed for use with a server or a KVM switch with PS/2 console connectors.

Features

- Rackmount console (17" LCD display, keyboard, touch pad) in an integrated 1U rackmountable housing
- Rackmountable in 19" system rack (1U)
- Sleep mode when the monitor cover is closed
- Supports resolutions of up to 1280 x 1024 pixels

System Requirements

- Supports most servers and KVM switches that have PS/2 console port connectors



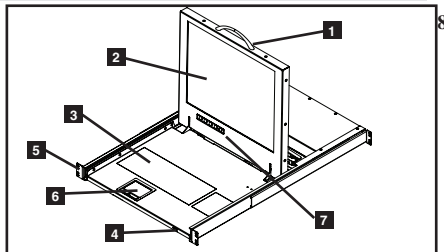
Note: Follow these instructions and operating procedures to ensure correct performance and to prevent damage to this unit or to its connected devices.

Copyright © 2007 Tripp Lite. All rights reserved. All trademarks are the property of their respective owners. The policy of Tripp Lite is one of continuous improvement. Specifications are subject to change without notice.

Introduction

Front View

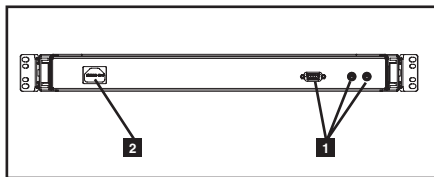
- 1 Handle:** Pull to slide the module out; push to slide the module in.
- 2 LCD Monitor:** After sliding the module out, flip up the cover to access the LCD monitor, keyboard and touch pad.
- 3 Keyboard**
- 4 Slide Release:** Mechanism to lock the drawer closed when the console is not in use. Prevents it from accidentally sliding open. To slide the console out, you must first release it by moving this tab sideways.
- 5 Rackmounting Brackets:** There are rackmounting brackets to secure the chassis to a system rack located at each corner of the unit. See p. 3 for rackmounting details.
- 6 Touch Pad**



- 7 Console and LCD Controls:** The controls located here include the console power on/off button, and the buttons used to control the position and picture setting of the LCD display. See "LCD OSD (On-Screen Display) Configuration," p. 3, for details.

Rear View

- 1 Console Port Section:** The KVM cable kit to connect the console to your server or KVM switch plugs in here. A console cable has been provided to connect to these ports.
- 2 Power Socket:** The power cord to the AC source plugs in here.

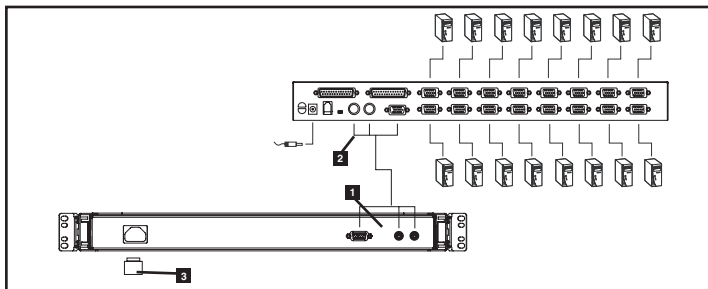


Installation

Refer to the example installation diagram below as you perform the following steps:

- 1** Plug the cable kit (provided with this unit) into the port on the B021-000-17.
- 2** Plug the keyboard, monitor, and mouse connectors on the other end of the cable kit into their respective ports on the server or KVM.
- 3** Plug the power cord into the B021-000-17's power socket and into an AC power source.
- 4** Power up the connected server or KVM.
- 5** Turn on the B021-000-17 by pressing the power on/off button (located on the left side on the console cover, under the LCD screen).

Note: The example diagram shows the B021-000-17 connecting to a B022-016 KVM switch. If you are connecting to a different model, the console port connectors may be in a different location.



LCD OSD (On-Screen Display) Configuration

Note: Once the B021-000-17 console has been connected to a powered-on server or KVM switch and turned on, the console and LCD display will go automatically into sleep mode when the console cover is closed. When the unit is in sleep mode, raising the console cover will automatically restart the console and LCD. To turn off the unit, press the power on/off switch.

The LCD OSD allows you to set up and configure the 17-inch LCD display:

- To bring up the LCD OSD main menu, press the MENU button.
- Use the < or > buttons to navigate through the settings.
- After navigating to a setting choice, use the MENU button to bring up the adjustment screen.
- When making adjustments, > increases the value; < decreases the value.
- When you are satisfied with your adjustment, press the AUTO button to make the change and return to the previous screen.
- When all of your adjustments have been made, press the AUTO button to close the LCD OSD configurator.

Rackmounting

The B021-000-17 is designed for mounting in a 1U rack system. For convenience, a rack mounting kit is included with your B021-000-17 for quick installation. The various mounting options are explained in the sections that follow.

Standard Rackmounting

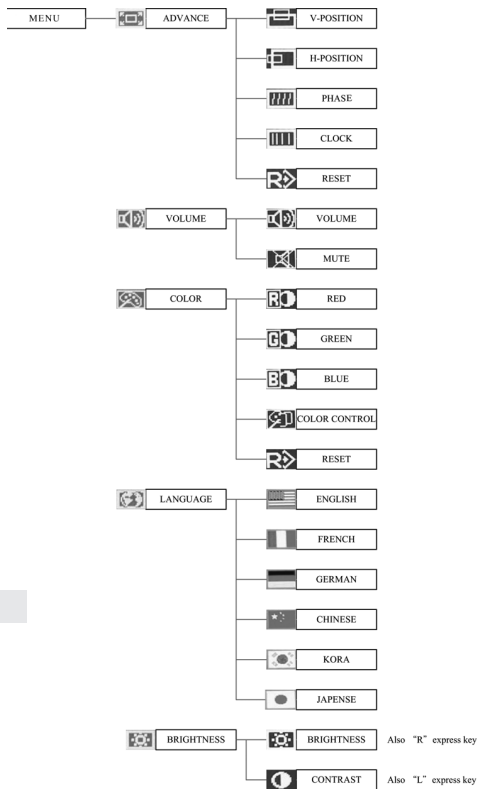
The standard rackmounting brackets that come attached to the B021-000-17 allow the unit to be installed in standard 1U racks by a single individual.

Step 1. Slide out the rear mounting brackets from the console and mount both brackets (separate from the console) to the inside rear of a standard 1U rack system using user-supplied screws.

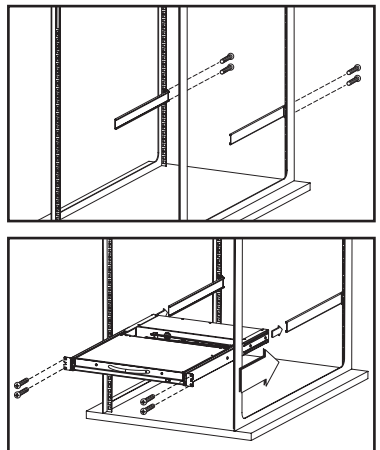
Step 2. Take the console and gently slide it into the two rear-mounted brackets in the rack and secure the console in place by inserting user-supplied screws.

2-Post Rackmounting

The B021-000-17 can also be mounted in a 2-post rack installation using the optional 2-Post Rackmount Kit (model #: B019-000). The mounting hardware allows for the console to be opened with the drawer in any position. Heavy-duty 14-gauge steel provides stability and prevents the console frame from twisting. See the B019-000 instructional manual for detailed mounting instructions.



LDC OSD Function Diagram



Specifications

Function		Specification
Connectors	Console	1 x HD-15 male
	Power	1 x IEC-C14 AC socket (100-240V~, 50-60Hz)
	Mouse	6 pin mini-DIN (PS/2)
	Keyboard	6 pin mini-DIN (PS/2)
LEDs		3 (Green)
Resolution		1280 x 1024; DDC2B
Environment		Operating Temperature: 32°- 104° F
		Storage Temperature: -4°- 140° F
		Humidity: 0 - 80% RH Noncondensing
Housing		Metal
Weight		26.9 pounds
Dimensions (L x W x H)		26.8 x 19 x 1.7 inches

Warranty and Warranty Registration

1-YEAR LIMITED WARRANTY

TRIPP LITE warrants its products to be free from defects in materials and workmanship for a period of one (1) year from the date of initial purchase. TRIPP LITE's obligation under this warranty is limited to repairing or replacing (at its sole option) any such defective products. To obtain service under this warranty, you must obtain a Returned Material Authorization (RMA) number from TRIPP LITE or an authorized TRIPP LITE service center. Products must be returned to TRIPP LITE or an authorized TRIPP LITE service center with transportation charges prepaid and must be accompanied by a brief description of the problem encountered and proof of date and place of purchase. This warranty does not apply to equipment, which has been damaged by accident, negligence or misapplication or has been altered or modified in any way.

EXCEPT AS PROVIDED HEREIN, TRIPP LITE MAKES NO WARRANTIES, EXPRESS OR IMPLIED, INCLUDING WARRANTIES OF MERCHANTABILITY AND FITNESS FOR A PARTICULAR PURPOSE. Some states do not permit limitation or exclusion of implied warranties; therefore, the aforesaid limitation(s) or exclusion(s) may not apply to the purchaser.

EXCEPT AS PROVIDED ABOVE, IN NO EVENT WILL TRIPP LITE BE LIABLE FOR DIRECT, INDIRECT, SPECIAL, INCIDENTAL OR CONSEQUENTIAL DAMAGES ARISING OUT OF THE USE OF THIS PRODUCT, EVEN IF ADVISED OF THE POSSIBILITY OF SUCH DAMAGE. Specifically, TRIPP LITE is not liable for any costs, such as lost profits or revenue, loss of equipment, loss of use of equipment, loss of software, loss of data, costs of substitutes, claims by third parties, or otherwise.

Warranty Registration

Register the warranty for your new Tripp Lite product. You'll be automatically entered into a drawing for a chance to win a FREE Tripp Lite product! *

* No purchase necessary. Void where prohibited. Some restrictions apply. See website for details.

FCC Radio / TV Interference Notice

Note: This equipment has been tested and found to comply with the limits for a Class B digital device, pursuant to Part 15 of the FCC Rules. These limits are designed to provide reasonable protection against harmful interference in a residential installation. This equipment generates, uses and can radiate radio frequency energy, and if not installed and used in accordance with the instruction manual, may cause interference to radio communications. However, there is no guarantee that interference will not occur in a particular installation. If this equipment does cause harmful interference to radio or television reception, which can be determined by turning the equipment off and on, the user is encouraged to try to correct the interference using one or more of the following measures: reorient or relocate the receiving antenna; increase the separation between the equipment and the receiver; connect the equipment into an outlet on a circuit different from that which the receiver is connected; consult the dealer or an experienced radio/television technician for help. The user must use shielded cables and connectors with this product. Any changes or modifications to this product not expressly approved by the party responsible for compliance could void the user's authority to operate the equipment. This device complies with part 15 of the FCC rules. Operation is subject to the following 2 conditions: (1) This device may not cause harmful interference, and (2) This device must accept any interference received, including interference that may cause undesired operation.

Regulatory Compliance Identification Numbers

For the purpose of regulatory compliance certifications and identification, your Tripp Lite product has been assigned a unique series number. The series number can be found on the product nameplate label, along with all required approval markings and information. When requesting compliance information for this product, always refer to the series number. The series number should not be confused with the marking name or model number of the product.

Tripp Lite follows a policy of continuous improvement. Product specifications are subject to change without notice.

Made in China.

