

# MODEL: SR2POST

# ASSEMBLY AND MOUNTING INSTRUCTIONS

## Parts Description

ITEM	DESCRIPTION	QTY
1	Mounting Base	2
2	Left Angle	1
3	Right Angle	1
4	Top Angle	2



Assembly  
Required



Screws  
Included



Tools  
Required

### Required Tools



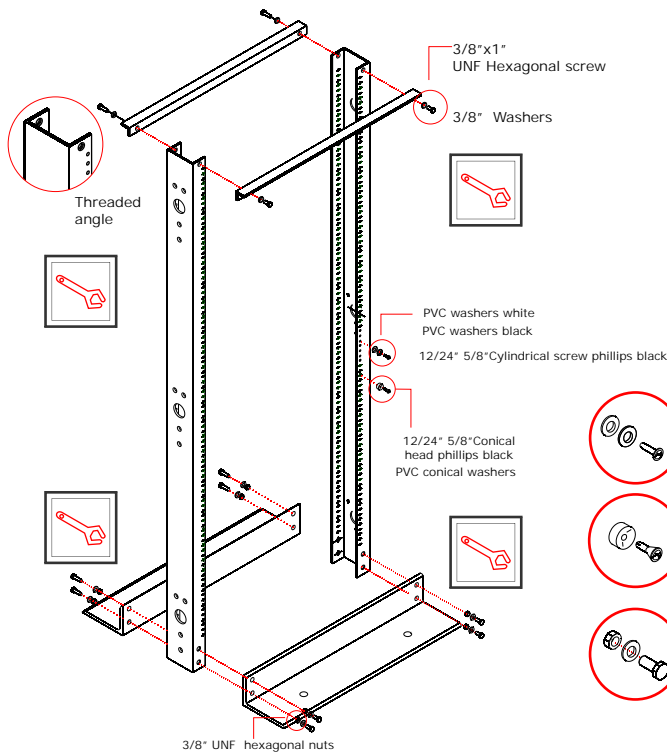
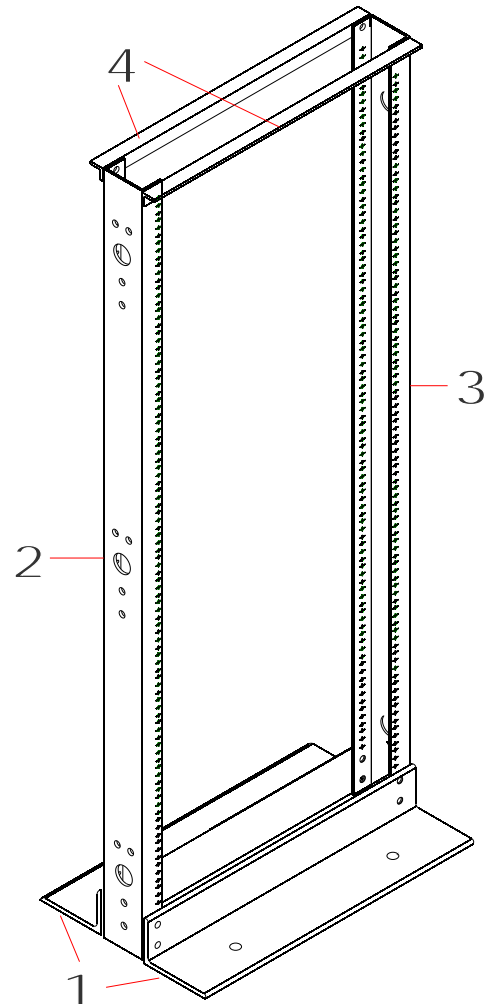
9/16" Wrench



9/16" Socket, Ratchet

### Included Mounting Hardware

DESCRIPTION	QTY
12/24" 5/8" Conical head phillips screw	28
12/24" 5/8" Cylindrical head phillips screw	28
PVC washers black	28
PVC washers white	28
Conical washers	28



### Rack Assembly Kit

DESCRIPTION	QTY
3/8"x16x1" UNF screw	12
3/8"x7/8" UNF flat washer	20
3/8"x7/8" Hexagonal nut	8

