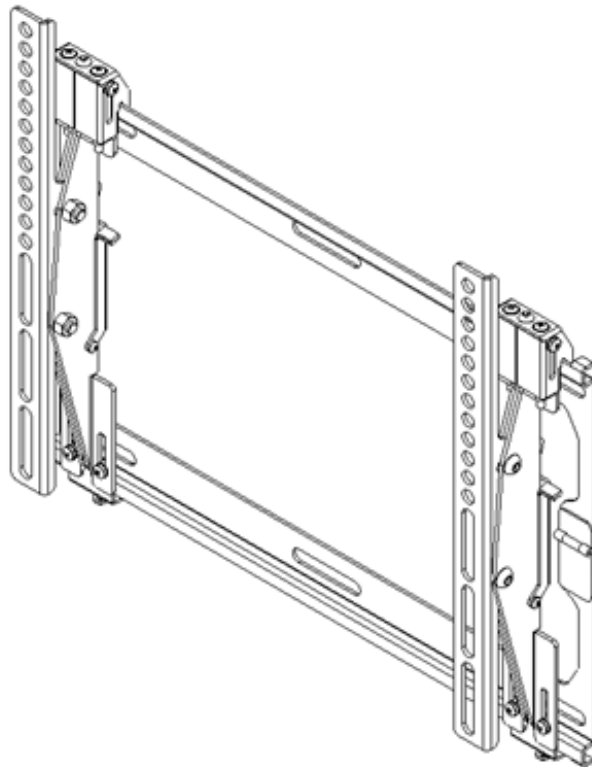


WMP

VIDEO MOUNT PRODUCTS

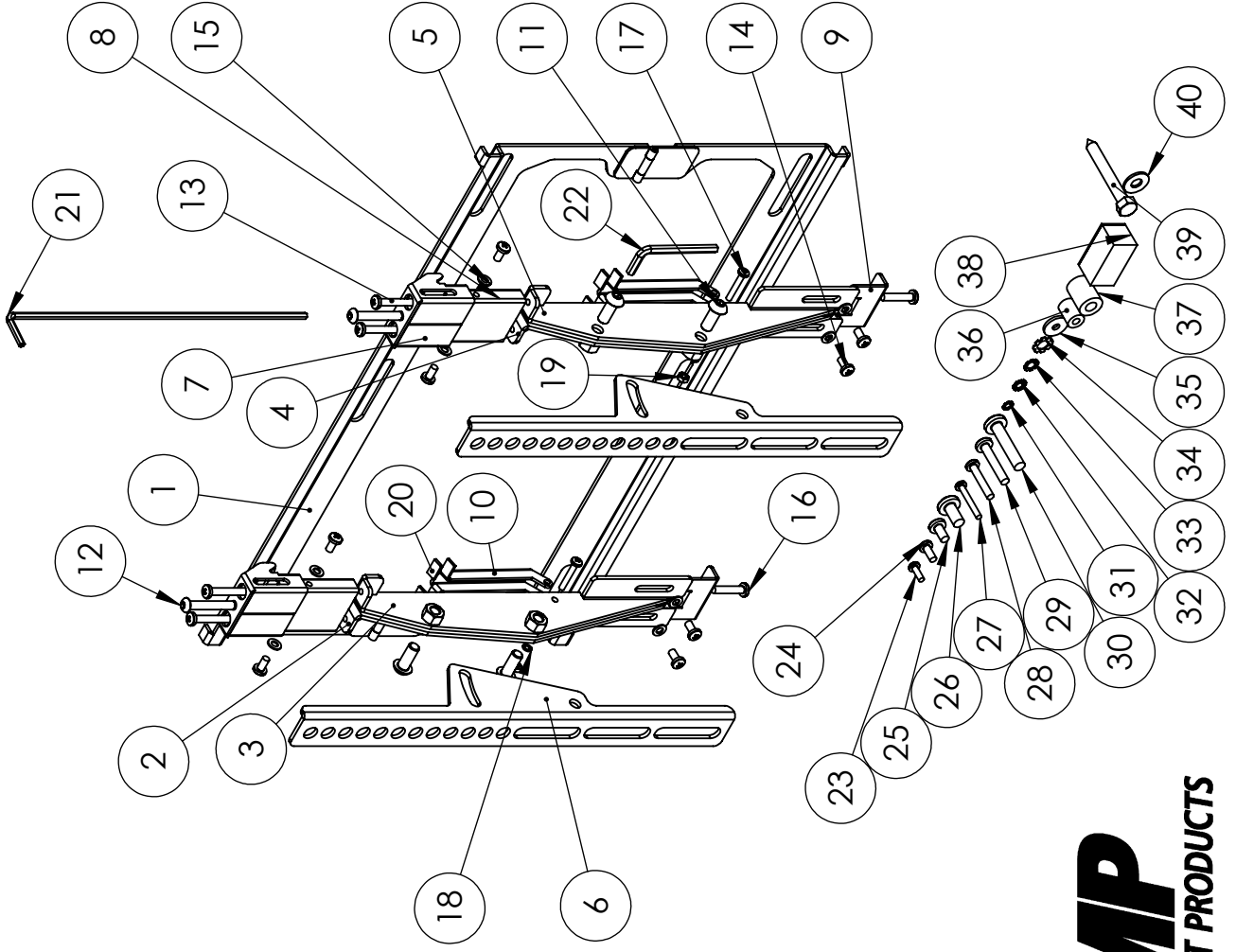
Instruction Sheet For:

FP-MFTB



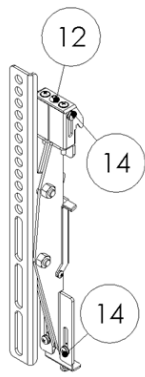
For more information, please contact us at:
345 Log Canoe Circle, Stevensville, Maryland 21666
Toll Free: 877.281.2169 Phone: 410.643.6390 Fax: 410.643.6615
www.videomount.com

FP-MFT



VMP
VIDEO MOUNT PRODUCTS

ITEM NO.	DESCRIPTION	Qty
1	Wall Plate	1
2	Side Wall A	1
3	Side Wall B	1
4	Side Wall C	1
5	Side Wall D	1
6	Tilt Bracket	2
7	Top Hook	2
8	Leveler	2
9	Securement Bracket	2
10	Kick Stand	2
11	Socket Screw M8*P1.25*L20	4
12	Socket Screw M6*P1.0*L40	2
13	Screw M5*P0.8*L60	4
14	Screw M5*P0.8*L10	8
15	Washer $\phi 5.3 \times \phi 10 \times T1.0$	8
16	Screw M5*P0.8*L25	2
17	Screw M4*P0.7*L25	2
18	Spring Lock Washer M4	2
19	Hex Nut M4*P0.7	2
20	Pad	4
21	Long Allen Key M4	1
22	M5 Allen Key	1
23	Screw M4*P0.7*L12	4
24	Screw M5*P0.8*L12	4
25	Screw M6*P1.0*L12	4
26	Screw M8*P1.25*L16.5	4
27	Screw M4*P0.7*L30	4
28	Screw M5*P0.8*L30	4
29	Screw M6*P1.0*L35	4
30	Screw M8*P1.25*L40	4
31	Lock Washer M4	4
32	Lock Washer M5	4
33	Lock Washer M6	4
34	Lock Washer M8	4
35	Washer $\phi 5.5 \times \phi 18 \times T2.0$	4
36	Spacer M6	4
37	Spacer M8	4
38	Magnetic Level	1
39	Lag Screw 5/16" * L2.5"	4
40	Washer $\phi 8.3 \times \phi 19 \times T1.6$	4



Step 2: Starting adjustments

Step 1

Lay out all parts to your mount and match them to the parts list provided. Verify that you have all your parts before attempting to assemble the mount.

Step 2

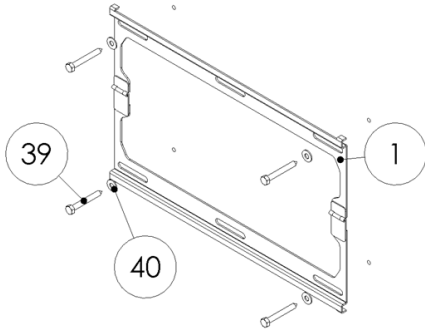
Before starting, make sure to tighten the socket screw at the top of the tilt brackets (12) as far as it will go to raise the brackets to the maximum height. Also take this time to make sure the screws (14) on the side of the top hook (7) and the screws (14) that attach the securement bracket (9) are just loose enough to slide freely in their respective slots.

Step 3

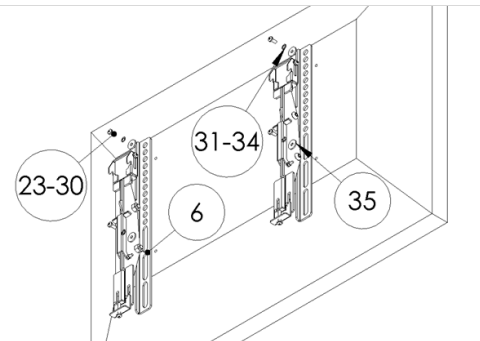
Mark the wall or desired mounting surface in preparation of installation of wall plate (1). If mounting to wooden studs, pre drill pilot holes using a 7/32" drill bit. Attach the wall plate (1) to the wooden stud using the 5/16" by 2.5" long lag screw (39) and washer (40) making sure the folded tabs on the wall plate assembly are towards the top. **WARNING: Please verify that your mounting surface will support the combined weight of your mount, mounting hardware, and flat panel. Also verify that the mounting surface is safe to drill through. Please note only mounting hardware for mounting to wooden studs will be provided with the unit. If mounting to a surface other than wooden studs then other hardware will be required. If in doubt or uncertain about any of the above, please contact a professional installer.**

Step 4

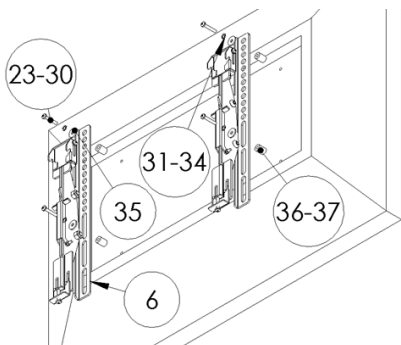
Determine the correct screw size and if you need to use washers, lock washers, or spacers. Note: Spacers are used for TVs with recessed hole patterns. Secure the display to the tilt brackets (6) using the appropriate hardware (23) through (37). Note: The brackets have to be level with each other to work properly. **Note: The socket screws (11) on each bracket should be pointed towards the outside of the flat panel when attached to allow adjustment of the tilt tension post installation.**



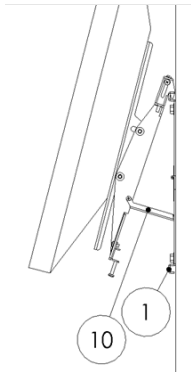
Step 3: Attaching the wall plate to the wall



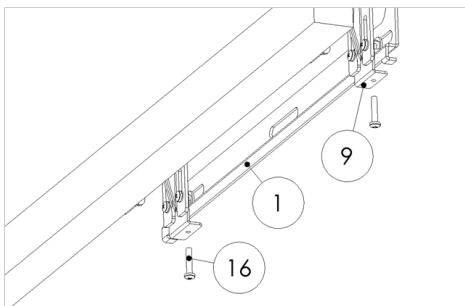
Step 4A: Attaching the flat panel to the tilt brackets (spacers not needed)



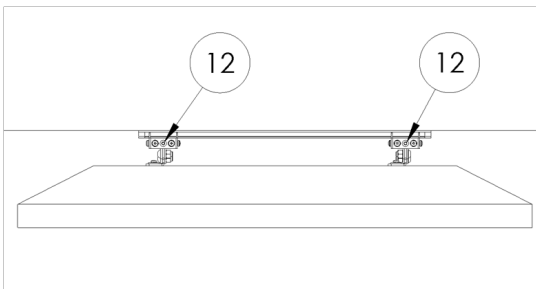
Step 4B: Attaching the flat panel to the tilt brackets (spacers used due to recessed hole pattern)



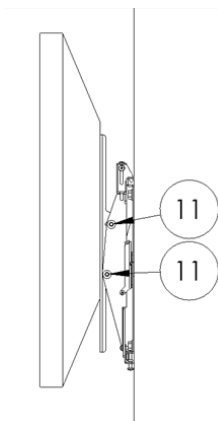
Step 5: Securing the mounting brackets



Step 6: Engaging the securement brackets



Step 7: Adjusting the height or roll of the flat panel



Step 8: Adjusting the tilt tension on the tilt brackets

Step 5

To wire the flat panel, pull the bottom of the flat panel up and lower the kick stand (10) on both tilt brackets. Attach any cables and wires at this time to the flat panel display. When finished fold the kick stand (10) back up against the tilt brackets to lower the flat panel back to the wall plate (1).

Step 6

Check the securement brackets (9) and make sure the bottom lip of the wall plate (1) is between the two metal flanges on the securement brackets. If not adjust the securement brackets (9) until this is true. Tighten the screw (16) in the bottom of the securement bracket (9) until the bracket is pressed firmly against the bottom lip of the wall plate (1). This step secures the tilt brackets to the wall plate (1).

Step 7

To adjust the vertical height of the unit unscrew the socket screw (12) at the top of the tilt brackets. To adjust the roll of the unit for leveling purposes simply unscrew the same screw (12) on the side which you wish to lower until you have achieved the desired height. *Note: The further out of level the two tilt brackets are the harder it will be to adjust the higher side. If you find it difficult to turn the higher side, simply press up on the flat panel on the higher side to relieve the pressure to allow you to turn the screw easier.*

Step 8

To adjust the tilt tension of the of the tilt brackets loosen or tighten the socket screws (11) on the side of the tilt brackets until you have achieved desire tension.

Please verify that all nuts and screws are securely tightened.

WMP
VIDEO MOUNT PRODUCTS

Enjoy Your Mount!

WARNING: The installer of these products must verify that the mount surface, ceiling or wall, will safely support the combined weight of all attached equipment and hardware. Video Mount Products will not be held liable for the improper use or installation of its products.