

# FP-MFTB

Multi-Just™ Mid-Size Flat Panel Flush Mount with Tilt

## Product Features:

Holds 27" – 42" flat panels

Maximum flat panel hole pattern – 415mm x 345mm

Adjustable -5° to +15° tilt

Vertical height adjustment – 1"

List adjustment –  $\pm 3^\circ$

Installation friendly kickstand

Distance from wall to back of the flat panel – 2.3"

Load capacity – 100 lbs

Black powder coat finish

## Product Specifications:

*(for Architects & Engineers)*

The tilt wall mount for the medium flat panel display shall be the Video Mount Products (VMP) model FP-MFTB. The mount shall be designed to attach to at least 2 studs up to 16" apart or other suitable support surface. The mount shall be primarily composed of formed steel and shall incorporate arc welds and security screws. The mount shall be a universal style mount capable of mounting to most 27" – 42" flat panels. The tilt rails shall be capable of accommodating a maximum hole pattern of 415 mm wide and 345 mm tall. The mount shall be capable of tilting from -5° to +15°. The mount shall be capable of adjusting vertically 1" post installation and have list adjustment capability of  $\pm 3^\circ$  post installation. The mount shall have an installer friendly kick stand to aid in the wiring of the flat panel. The load capacity shall be 100 lbs.

## Video Mount Products

345 Log Canoe Circle

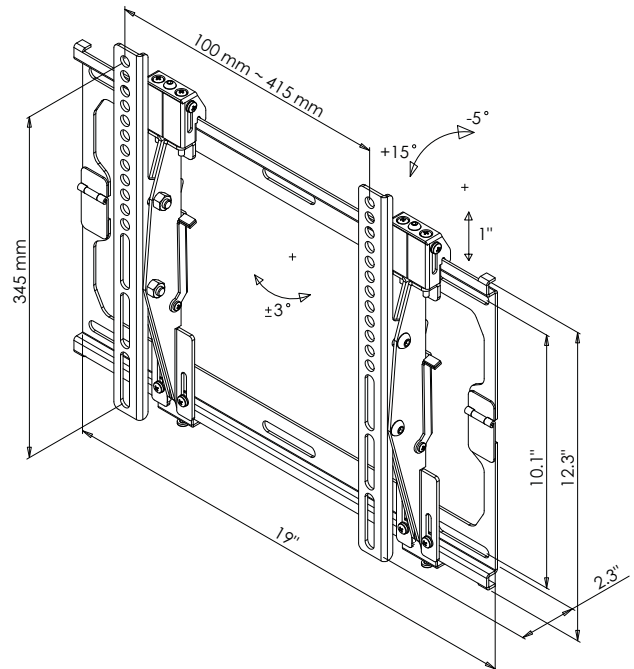
Stevensville, MD 21666

Toll Free: 877.281.2169

Telephone: 410.643.6390

Facsimile: 410.643.6615

[www.videomount.com](http://www.videomount.com)



**VMP**  
VIDEO MOUNT PRODUCTS