

# WIREMOLD



## 5000 Two-Piece Multiple Channel Raceway

### Access™ 5000 Nonmetallic Surface Raceway System



This attractive raceway conceals and organizes electrical wiring and low-voltage cabling in a sleek, handsome molding. Access Raceway is divided and the low-profile device plates deliver combinations of power and communications cabling.

Access 5000 Raceway System saves time and money because it installs faster and neater than conventional in-wall wiring. It is more energy efficient because walls, vapor barriers and insulation remain intact. And it's a snap to reconfigure or add new wiring/cabling to home or office.

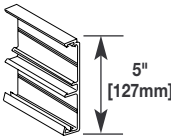
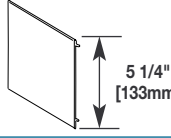
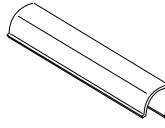


Access 5000 Raceway installed at chair rail height.

#### Features & Benefits

- **Low profile base mold design.** Raceway can serve as an aesthetically pleasing molding which eliminates the need for additional finishing work.
- **Dual channel raceway.** Power and low-voltage can be run in same raceway.
- **PVC and wood veneer finishes.** Attractive finishes to blend with any decor.
- **Modular device brackets and faceplates.** New and emerging power or communications technologies can be adapted or updated without major construction to reduce overall life cycle costs.
- **Made of durable PVC material.** Lightweight and easy to cut. Meets UL flammability requirements and is UL Listed/CSA Approved for up to 600 volts.
- **Patented safety interlock system on covers.** Offers additional safety for home applications.
- **Full line of fittings and accessories.** Fittings snap onto base and overlap to cover seams for quick and easy installation.
- **Eight-foot lengths.** Installs quickly by one person with fewer joints to cover. Consult factory for custom lengths.
- **Datacom connectivity options.** Accepts industry standard and proprietary devices from a wide range of manufacturers to provide a seamless and aesthetically pleasing interface for voice, data, audio, and video applications at the point of use.

## Access 5000 Base & Cover

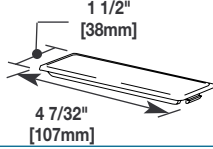
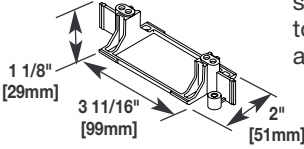
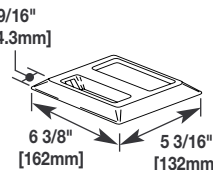
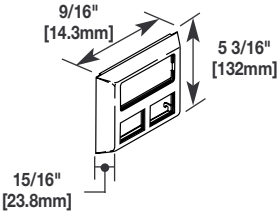
Catalog No./Item	Description/Specifications
<b>5000B</b> 	<b>Base</b> – An integral divider forms two channels for power and low-voltage separation. Base supplied in 8' [240m] lengths.
<b>5000C*†</b> 	<b>Cover</b> – Covers supplied in 8' [240m] lengths.
<b>5000T*†</b> 	<b>Quarter Round Trim</b> – Trim covers supplied in 8' [240m] lengths.

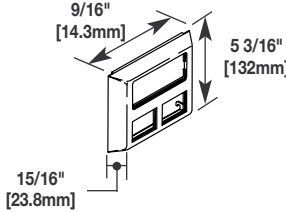
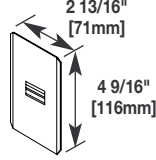
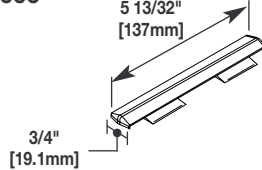
Access Raceway in standard white vinyl and maple wood veneer; also available in black, gray vinyl, and fine oak wood veneer finishes.



Access Raceway's Base, Cover, and Trim Cover are sold separately.

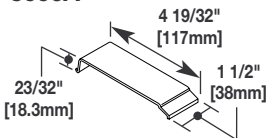
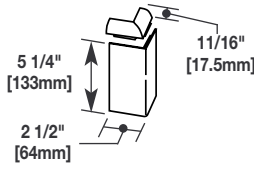
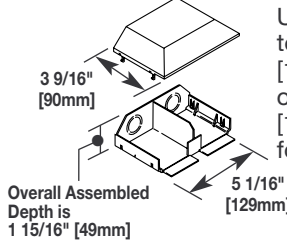
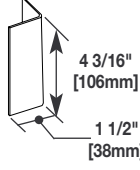
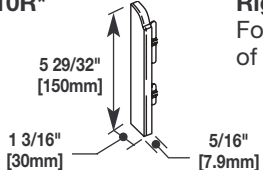
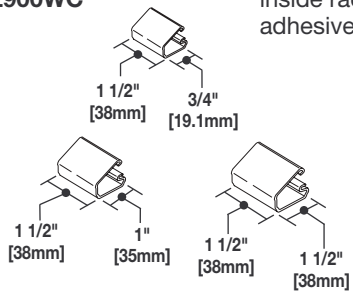
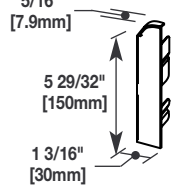
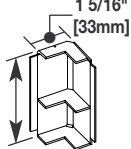
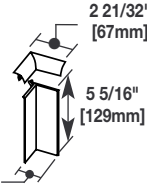
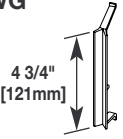
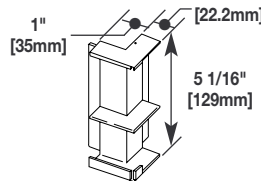
## Access 5000 Raceway Fittings

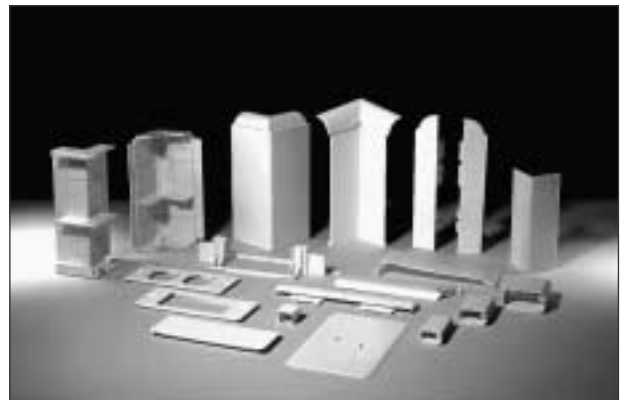
Catalog No./Item	Description/Specifications
<b>5005*</b> 	<b>Low-Voltage Blank Plate</b> – Blanks entire low-voltage recess in device plate.
<b>5007</b> 	<b>Device Bracket</b> – For mounting standard devices. Snaps into top section of base wherever an outlet is needed.
<b>5007C-1A*</b> 	<b>External Device Cover Plate</b> – For mounting one standard device and up to two voice/data connectors. <ul style="list-style-type: none"> <li>• Accepts 5507 Series Faceplates and Pass &amp; Seymour Activate Keystone Jacks and Inserts.</li> </ul>
<b>5007C-2AB*</b> 	<b>Deep Device Plate</b> – For mounting deeper devices such as Sentrex® protection and GFCI devices and Pass & Seymour Activate communications inserts. <ul style="list-style-type: none"> <li>• Accepts 5507 Series Faceplates, 2A size Activate inserts, and Open System Communication Modules.</li> </ul>

Catalog No./Item	Description/Specifications
<b>5007C-2RT*</b> 	<b>Deep Device Plate</b> – For mounting deeper devices such as Sentrex® surge protection and GFCI devices and Ortronics communications inserts. <ul style="list-style-type: none"> <li>• Accepts 5507 Series Faceplates, Tracjack and Series II Inserts.</li> </ul>
<b>5001</b> 	<b>Base Coupling</b> – For aligning base sections.
<b>5006*</b> 	<b>Cover Clip</b> – Covers seam between butted cover sections.

**NOTE:** \* Add suffix "WH" for white finish, "BK" for black, and "GY" for gray.  
 † Add suffix "W" for maple finish or "OA" for oak.

## Access 5000 Raceway Fittings

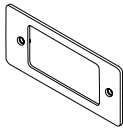
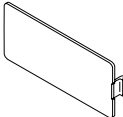
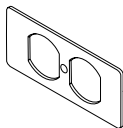
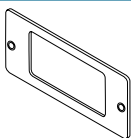
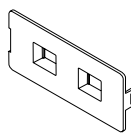
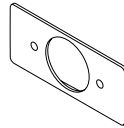
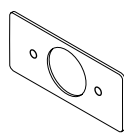
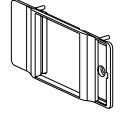
Catalog No./Item	Description/Specifications	Catalog No./Item	Description/Specifications
<b>5006A</b> 	<b>Internal Wire Guard</b> – Protects inside wire/cables from gap behind butted cover sections. Installed when the 5006 Cover Clips are not used.	<b>5018C*</b> 	<b>External Cover Elbow</b> – For mounting cover and trim cover at 90° external corners.
<b>5010A*</b> 	<b>Entrance End Fitting</b> – Used to connect 5000 to 1/2" [12.7mm] or 3/4" [19.1mm] conduit. Has one 1/2" [12.7mm] or 3/4" [19mm] concentric KO for each channel.	<b>5018WG</b> 	<b>External Elbow Wire Guard</b> – Installs at a mitered external elbow joint behind the covers to protect from sharp objects being inserted. Not needed when 5018C external cover elbow is used.
<b>5010R*</b> 	<b>Right End Cap</b> – For closing open right end of 5000 Base run.	<b>2700WC 2800WC 2900WC</b> 	<b>Wire Clips</b> – Holds and secures wiring and cabling inside raceway. Mounts with adhesive backing.
<b>5010L*</b> 	<b>Left End Cap</b> – For closing open left end of 5000 Base run.		
<b>5017B</b> 	<b>Internal Base Elbow</b> – For mounting base at 90° internal corners.		
<b>5017C*</b> 	<b>Internal Cover Elbow</b> – For mounting cover and trim cover at 90° internal corners.		
<b>5017WG</b> 	<b>Internal Elbow Wire Guard</b> – Protects wiring at mitered internal cover; snaps into 5017B Base Elbow. Not needed when 5017C internal cover elbow is used.		
<b>5018B</b> 	<b>External Base Elbow</b> – For mounting base at 90° external corners.		



A full line of molded fittings are available.

**NOTE:** \*Add suffix "WH" for White Finish, "BK" for Black, and "GY" for Gray.

## Access 5000 Face Plates

Catalog No./Item	Description/Specifications		Catalog No./Item	Description/Specifications	
55007AD 55007AD-G	<b>Modular Furniture Adapter</b> – <ul style="list-style-type: none"> <li>For mounting Activate modular furniture bezel, and other modular furniture adapters.</li> </ul>	ORT P&S OPEN		<b>Dual RJ11/RJ45 Connector Faceplate</b> – <ul style="list-style-type: none"> <li>For mounting one or two RJ type connectors – has one opening and a KO for the other.</li> </ul>	ORT P&S OPEN
5507B 5507B-G	<b>Blank Faceplate</b> – For covering unused compartments in the device bracket.			<b>RJ11/RJ45 and IBM Faceplate</b> – <ul style="list-style-type: none"> <li>For mounting one RJ and one IBM type connector.</li> </ul>	ORT P&S OPEN
5507D 5507D-G	<b>Duplex Faceplate</b> – For covering duplex style devices. <ul style="list-style-type: none"> <li>Accepts 106 Frame.</li> </ul>	ORT P&S OPEN		<b>Switch Faceplate</b> – For covering standard toggle switches.	
5507R 5507R-G	<b>Rectangular Faceplate</b> – For covering rectangular style devices.			<b>Single Receptacle Faceplate</b> – For covering single receptacles – 1.59" [40mm] diameter.	
5507FRJ 5507FRJ-G	<b>Flush Dual RJ11/RJ45 Faceplate</b> – <ul style="list-style-type: none"> <li>For flush mounting one or two RJ type connectors – has one opening and a KO for the other.</li> </ul>	ORT P&S OPEN		<b>Single Receptacle Faceplate</b> – For covering single receptacles – 1.41" [35mm] diameter.	
				<b>Ortronics® Faceplate</b> – For mounting Ortronics datacom inserts. <ul style="list-style-type: none"> <li>Accepts two Series II Devices.</li> </ul>	ORT P&S OPEN
					
					

**NOTE:** All faceplates are 4 1/4" x 1 7/8" [108mm x 47mm].



*Adding or relocating an outlet is easy with Access 5000 Raceway. Wire clips support cables without obstructing access to wiring.*

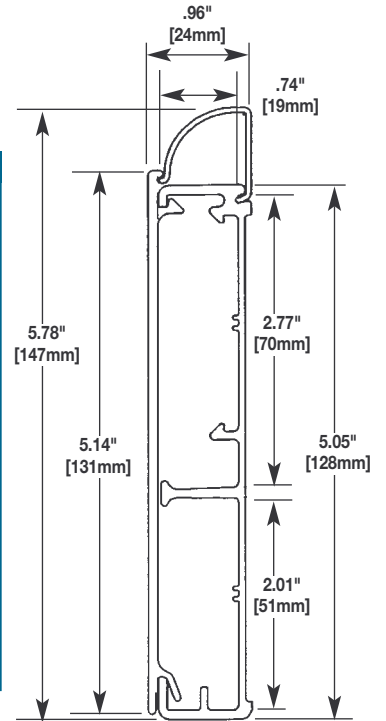
**ACCESS 5000 RACEWAY WIRE CAPACITIES FOR POWER/TOP COMPARTMENT**

WIRE SIZE	THHN, THWN
10 AWG	12
12 AWG	20
14 AWG	24

**ACCESS 5000 RACEWAY CABLE FILL CAPACITIES FOR DATA/COMMUNICATION**

	CABLE/WIRE SIZE	O.D.		Bottom Compartment		Top Compartment	
		Inches	[mm]	20% Fill	40% Fill	20% Fill	40% Fill
UNSHIELDED TWISTED PAIR	4-pair, 24 AWG Cat 5 UTP	0.220	5.5	7	14	10	20
	4-pair, 24 AWG Cat 3 UTP	0.190	4.8	9	19	13	27
TELEPHONE	2-pair, 24 AWG	0.140	3.5	18	36	25	50
	3-pair, 24 AWG	0.150	3.8	15	31	21	43
	4-pair, 24 AWG	0.190	4.8	9	19	13	27
	25-pair, 24 AWG	0.410	10.3	2	4	2	5
COAXIAL	RG58/U	0.195	4.7	9	18	13	26
	RG59/U	0.242	6.1	6	12	8	16
	RG62/U	0.242	6.1	6	12	8	16
	RG6/U	0.270	6.8	4	9	6	13
TWINAXIAL	100 Ohm	0.330	8.3	3	6	4	9
SHIELDED TWISTED PAIR	TYPE 1	0.390	9.8	2	4	3	6
	TYPE 2	0.465	11.6	1	3	2	4
	TYPE 3	0.245	6.1	5	11	8	16
FIBER OPTIC	Two Strand (Duplex) Multimode, 62.5/125 μm	0.19	4.8	9	19	13	27

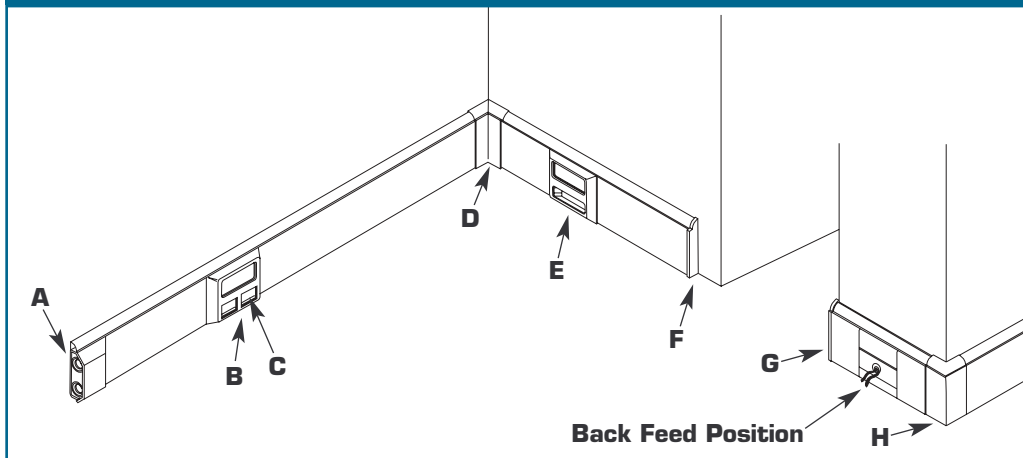
Without Device Plate



\* 20% cable fill is calculated to approximate reduction in cable capacity due to connectors mounted within raceway and fittings that may restrict cross sectional area.

\*\* 40% cable fill is the maximum designed cable fill based on a proposal revision to TIA/EIA-569-A.

**ACCESS 5000 RACEWAY SYSTEM PRODUCT APPLICATIONS**



- |                         |  |                         |  |
|-------------------------|--|-------------------------|--|
| <b>A – 5010A</b>        | Entrance End Feed                            | <b>E – 5007C-1A</b>     | Device Bracket                               |
| <b>B – 5007C-2A</b>     | Deep Device Bracket                          | <b>F – 5010R</b>        | Right End Cap                                |
| <b>C – 2A</b>           | Activate Connectivity Insert                 | <b>G – 5010L</b>        | Left End Cap                                 |
| <b>D – 5017B, 5017C</b> | Internal Base Elbow,<br>Internal Cover Elbow | <b>H – 5018B, 5018C</b> | External Base Elbow,<br>External Cover Elbow |

**NOTE:** Illustration is for showing product applications only.